



Approved for use in the Wildland Urban Interface (W.U.I.)

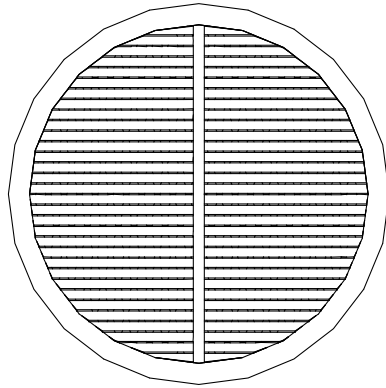
Chapter 7A compliant: Tested and listed to ASTM2886.
OSFM BML listing: 8165-2426 | QAI listing: B1155

Revision Date: February 25, 2020

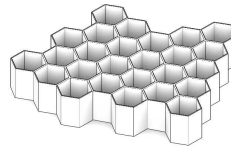


V2VENTS.COM (916) 652-7424 info@newcalmetals.com P.O. Box 1126 Loomis, CA. 95650

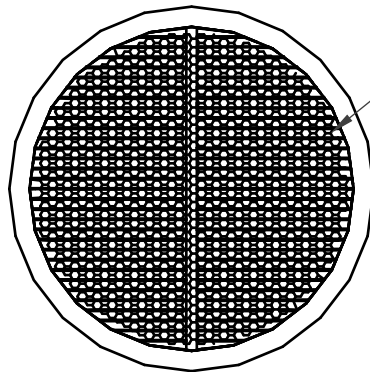
For use to comply with IWUI, IBHS Wildfire Prepared Certification, California Chapter 7A*



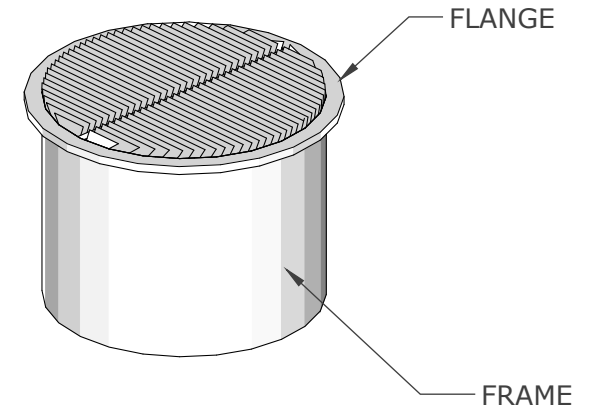
TOP VIEW



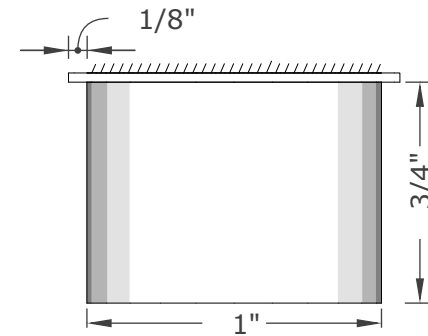
Intumescent Core



BOTTOM VIEW



ISOMETRIC VIEW



SIDE VIEW

Required Installation:

Use **EverKem 814+ intumescent firestop caulking** or equivalent, BEHIND flanges.
For application details and installation examples, please visit www.V2Vents.com

FSVER1 PRODUCT SPECIFICATION & DATA SHEET

Proudly Manufactured By: **NEW CAL METALS INC.**
www.newcalmetals.com

| | | | | | |
|-------------------|------------------------|--------------|------------------|------------------|---|
| Model Description | Round Eave Vent | Flange Type | NFVA | Frame & Flange | G90 Galvanized Steel - 26GA |
| Model Number | FSVER1 | Flange Front | 1 sq. in. | Intumescent Core | 5mm Hexagonal Matrix - Aluminum with intumescent coating |
| Model Size | 1" x 1" | | | Ember Mesh | N/A |