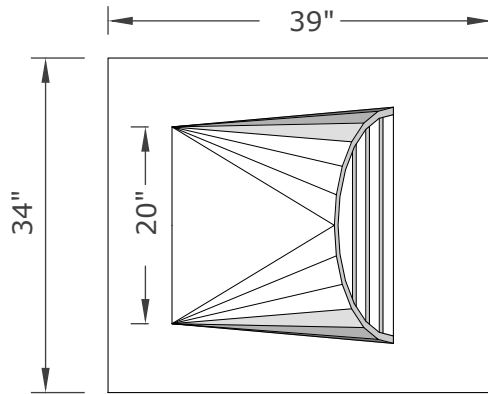




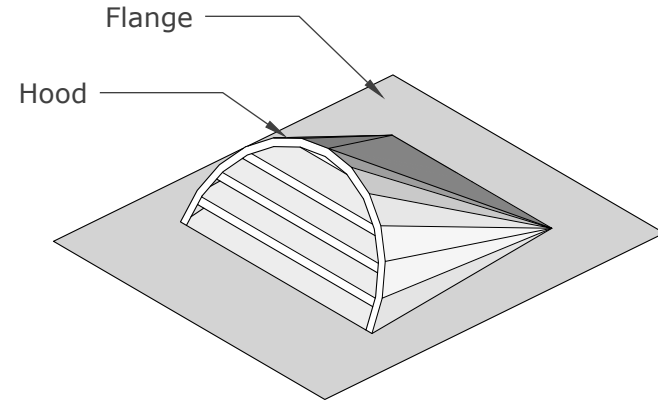
V2VENTS.COM (916) 652-7424 info@newcalmetals.com P.O. Box 1126 Loomis, CA. 95650

For use to comply with IWUI, IBHS Wildfire Prepared Certification, California Chapter 7A*

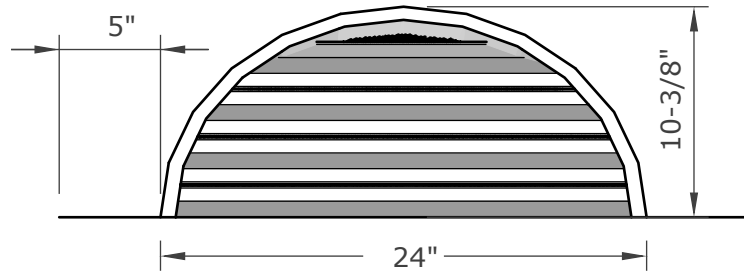
Use EverKem 814+ intumescent firestop caulking or similar, along flanges.
For application details and installation examples, please visit www.VulcanVents.com



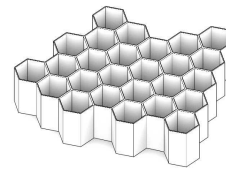
TOP VIEW



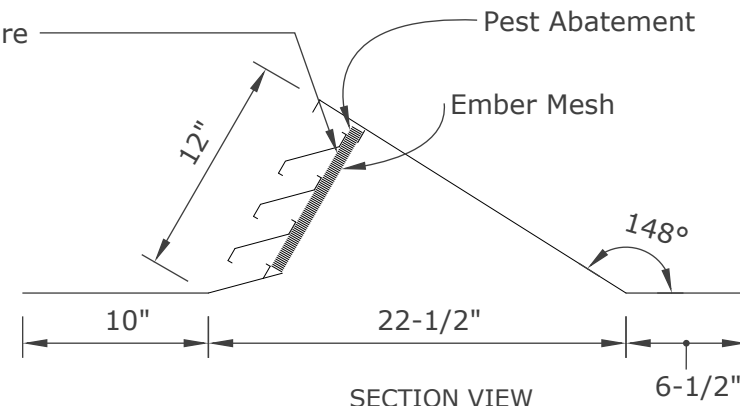
ISOMETRIC VIEW



FRONT VIEW



Intumescent Core



SECTION VIEW

Required Installation:

Use EverKem 814+ intumescent firestop caulking or equivalent, BEHIND flanges.
For application details and installation examples, please visit www.V2Vents.com

Proudly Manufactured By: NEW CAL METALS INC.

www.newcalmetals.com

FSDHR1224 PRODUCT SPECIFICATION & DATA SHEET

Model Description	Half Round Dormer Vent	Flange Type	Standard	Frame & Flange	G90 Galvanized Steel - 26GA
Model Number	FSDHR1224	NFVA	90 sq. in.	Intumescent Core	5mm Hexagonal Matrix - Aluminum with intumescent coating
Model Size	12" x 24"			Ember Mesh	14 Mesh - 304 Stainless Steel
				Pest Abatement	1/8" Galvanized Steel Screen