



Approved for use in the Wildland Urban Interface (W.U.I.)

Chapter 7A compliant: Tested and listed to ASTM2886. OSFM BML listing: 8165-2426 | QAI listing: B1155

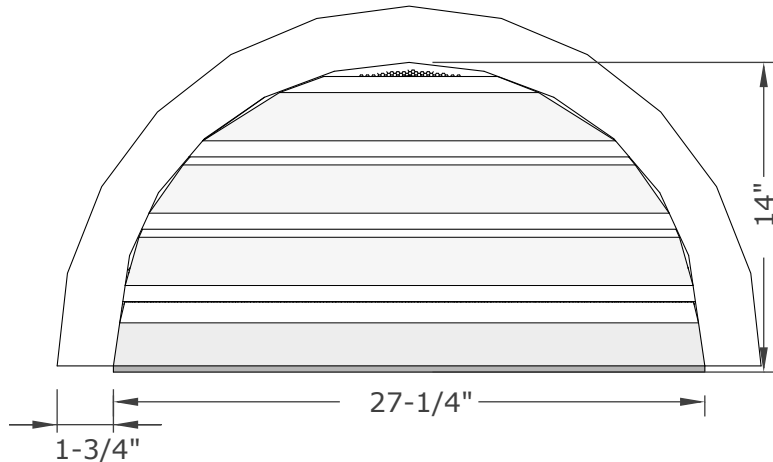


Revision Date: February 24, 2020

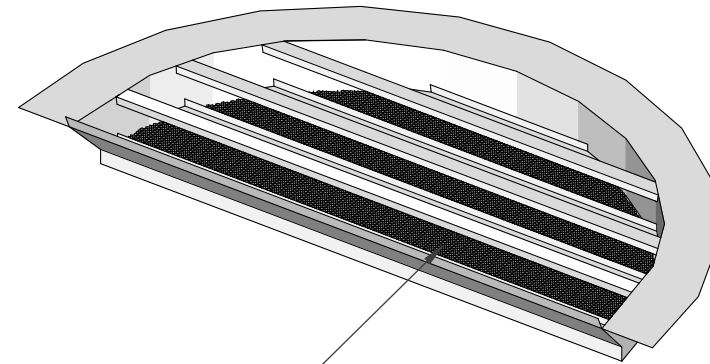


V2VENTS.COM (916) 652-7424 info@newcalmetals.com P.O. Box 1126 Loomis, CA. 95650

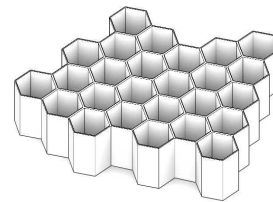
For use to comply with IWUI, IBHS Wildfire Prepared Certification, California Chapter 7A*



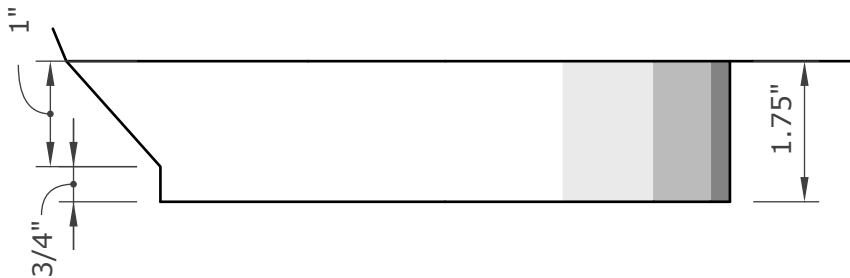
TOP VIEW



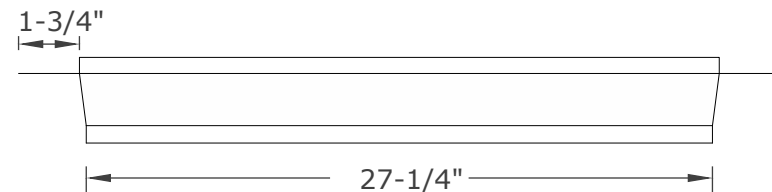
ISOMETRIC VIEW



Intumescent Core



SIDE VIEW



END VIEW

Required Installation:

Use EverKem 814+ intumescent firestop caulking or equivalent, BEHIND flanges. For application details and installation examples, please visit www.V2Vents.com

Proudly Manufactured By: NEW CAL METALS INC.

www.newcalmetals.com

FSVDHR1224R PRODUCT SPECIFICATION & DATA SHEET

Model Description	Dormer Vent	Flange Type	NFVA	Flange Front	90 sq. in.	Frame & Flange	G90 Galvanized Steel - 26GA
Model Number	FSVDHR1224R					Intumescent Core	5mm Hexagonal Matrix - Aluminum with intumescent coating
Model Size	27-1/4" x 14"					Ember Mesh	14 Mesh - 304 Stainless Steel