



Approved for use in the Wildland Urban Interface (W.U.I.)

Chapter 7A compliant: Tested and listed to ASTM2886.  
OSFM BML listing: 8165-2426 | QAI listing: B1155

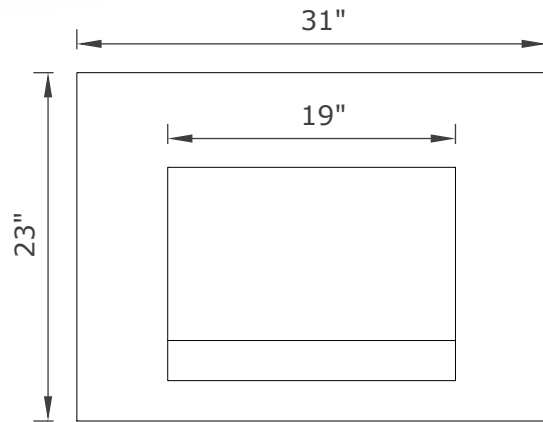


Revision Date: February 24, 2020

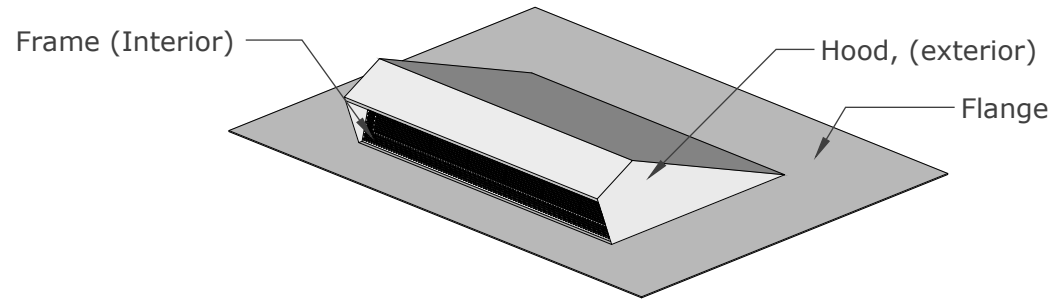


V2VENTS.COM (916) 652-7424 info@newcalmetals.com P.O. Box 1126 Loomis, CA. 95650

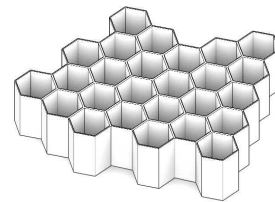
For use to comply with IWUI, IBHS Wildfire Prepared Certification, California Chapter 7A\*



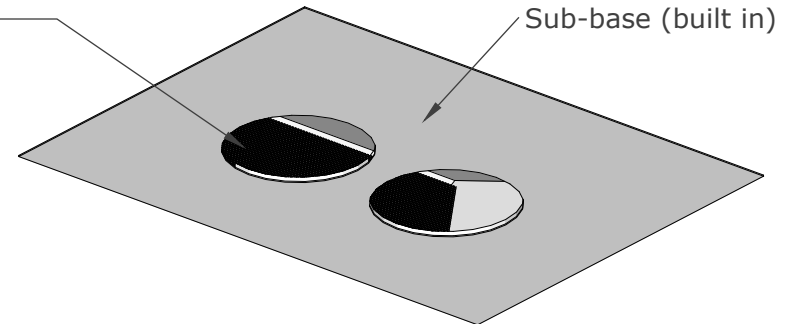
TOP VIEW



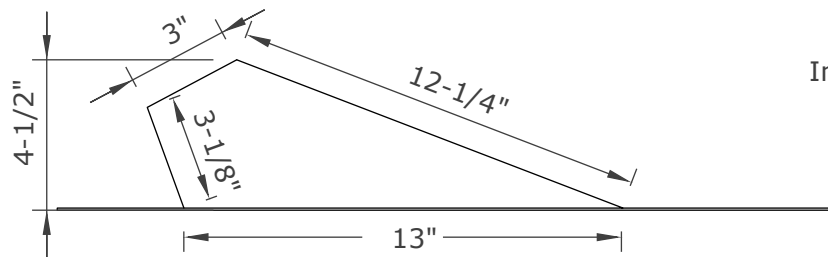
ISOMETRIC VIEWS



Intumescent Core



Sub-base (built in)



SIDE VIEW

**Required Installation:**

Use **EverKem 814+ intumescent firestop caulking** or equivalent, BEHIND flanges.  
For application details and installation examples, please visit [www.V2Vents.com](http://www.V2Vents.com)

**FSVDLR419 PRODUCT SPECIFICATION & DATA SHEET**

Proudly Manufactured By: **NEW CAL METALS INC.**

[www.newcalmetals.com](http://www.newcalmetals.com)

Model Description	<b>Standard Dormer Vent</b>	Flange Type	<b>Standard</b>	Hood & Flange	<b>G90 Galvanized Steel - 26GA</b>
Model Number	<b>FSVDLR419</b>	NFVA	<b>52 sq. in.</b>	Frame (Int)	<b>G90 Galvanized Perforated Steel - 24GA</b>
Model Size	<b>4-1/2" x 19"</b>			Intumescent Core	<b>6mm Hexagonal Matrix - Aluminum with intumescent coating</b>
				Ember Mesh	<b>14 Mesh - 304 Stainless Steel</b>