



Approved for use in the Wildland Urban Interface (W.U.I.)

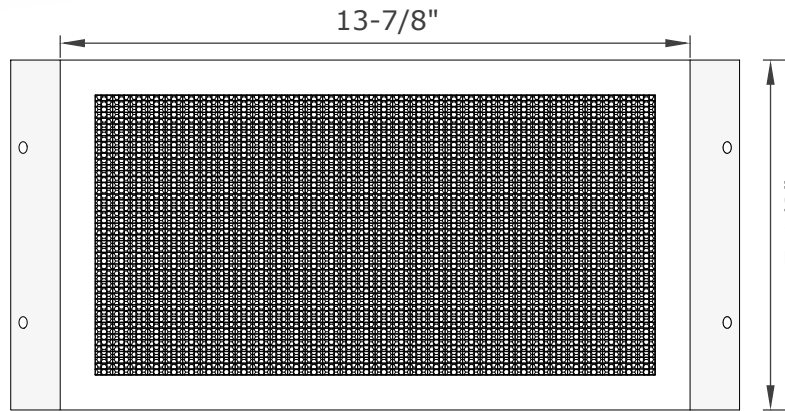
Chapter 7A compliant: Tested and listed to ASTM2886.
OSFM BML listing: 8165-2426 | QAI listing: B1155

Revision Date: February 25, 2026

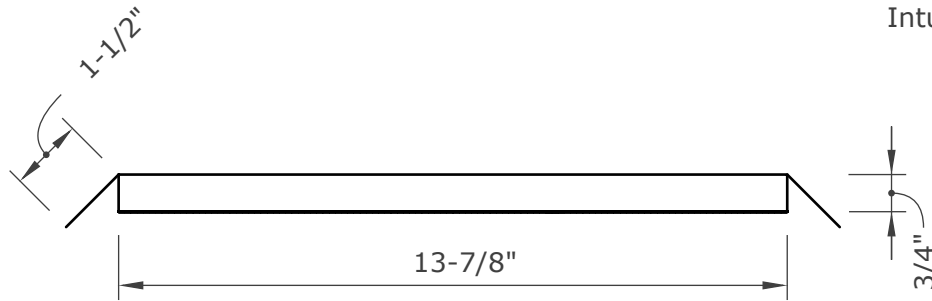


V2VENTS.COM (916) 652-7424 info@newcalmetals.com P.O. Box 1126 Loomis, CA. 95650

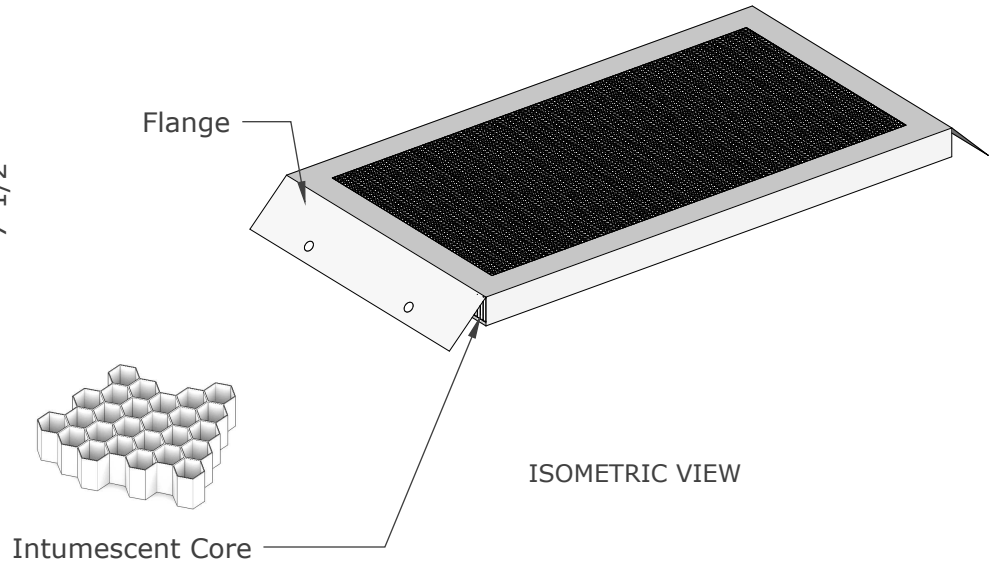
For use to comply with IWUI, IBHS Wildfire Prepared Certification, California Chapter 7A*



TOP VIEW



SIDE VIEW



ISOMETRIC VIEW



END VIEW (X-Ray)

Required Installation:

Use **EverKem 814+ intumescent firestop caulking** or equivalent, BEHIND flanges.
For application details and installation examples, please visit www.V2Vents.com

FSVE7514RT PRODUCT SPECIFICATION & DATA SHEET

Proudly Manufactured By: **NEW CAL METALS INC.**

www.newcalmetals.com

Model Description	Eave Vent	Flange Type	Reverse Tab	Frame & Flange	G90 Galvanized Steel - 26GA
Model Number	FSVE7514RT	NFVA	75 sq. in.	Intumescent Core	5mm Hexagonal Matrix - Aluminum with intumescent coating
Model Size	13-7/8" x 7-1/2"			Ember Mesh	14 Mesh - 304 Stainless Steel (Faces interior)
				Pest Screen	Galvanized Steel Screen - 1/8" (Faces exterior)

