



Approved for use in the Wildland Urban Interface (W.U.I.)

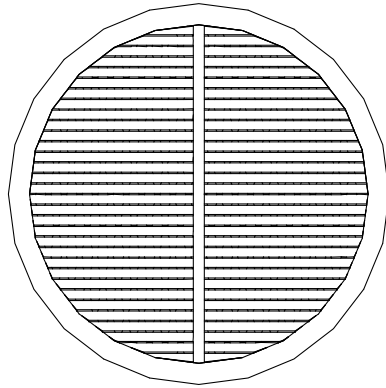
Chapter 7A compliant: Tested and listed to ASTM2886.
OSFM BML listing: 8165-2426 | QAI listing: B1155

Revision Date: February 25, 2020

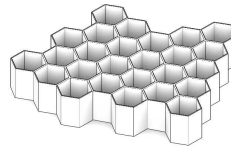


V2VENTS.COM (916) 652-7424 info@newcalmetals.com P.O. Box 1126 Loomis, CA. 95650

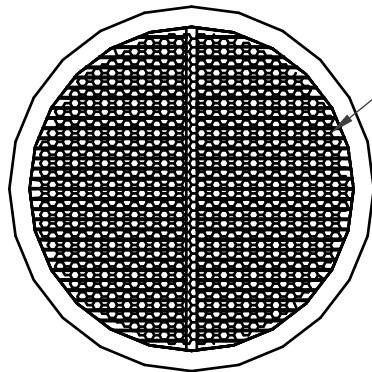
For use to comply with IWUI, IBHS Wildfire Prepared Certification, California Chapter 7A*



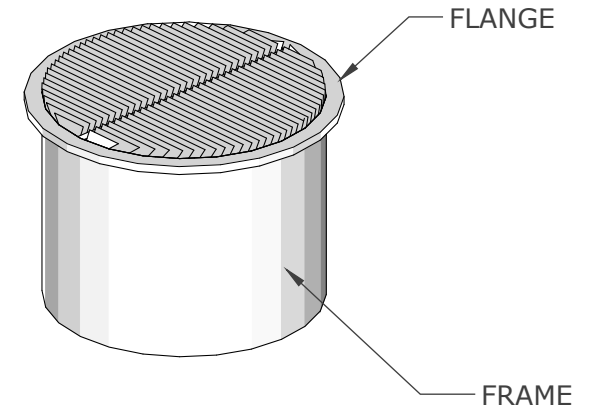
TOP VIEW



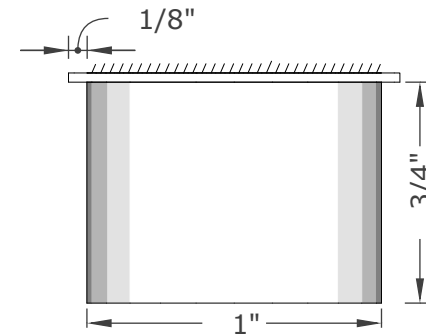
Intumescent Core



BOTTOM VIEW



ISOMETRIC VIEW



SIDE VIEW

Required Installation:

Use **EverKem 814+ intumescent firestop caulking** or equivalent, BEHIND flanges.
For application details and installation examples, please visit www.V2Vents.com

FSVER1 PRODUCT SPECIFICATION & DATA SHEET

Proudly Manufactured By: **NEW CAL METALS INC.**

www.newcalmetals.com

Model Description	Round Eave Vent	Flange Type	NFVA	Frame & Flange	G90 Galvanized Steel - 26GA
Model Number	FSVER1	Flange Front	1 sq. in.	Frame & Flange	5mm Hexagonal Matrix - Aluminum with intumescent coating
Model Size	1" x 1"			Intumescent Core	N/A
				Ember Mesh	

