



Approved for use in the Wildland Urban Interface (W.U.I.)

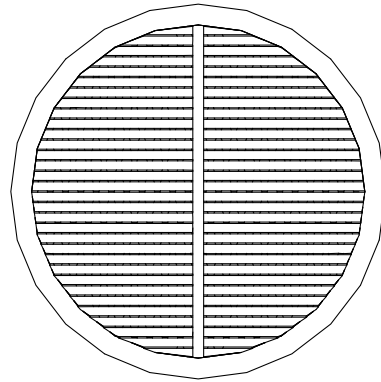
Chapter 7A compliant: Tested and listed to ASTM2886. OSFM BML listing: 8165-2426 | QAI listing: B1155

Revision Date: February 25, 2020

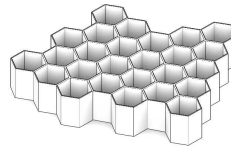


V2VENTS.COM (916) 652-7424 info@newcalmetals.com P.O. Box 1126 Loomis, CA. 95650

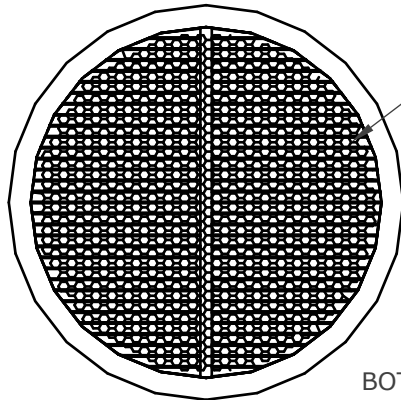
For use to comply with IWUI, IBHS Wildfire Prepared Certification, California Chapter 7A\*



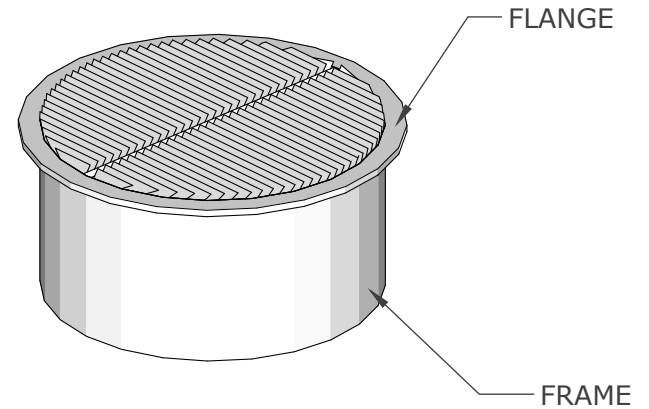
TOP VIEW



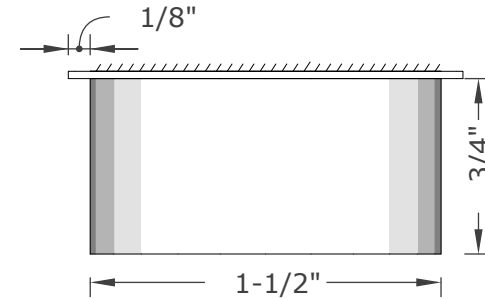
Intumescent Core



BOTTOM VIEW



ISOMETRIC VIEW



SIDE VIEW

Required Installation:

Use EverKem 814+ intumescent firestop caulking or equivalent, BEHIND flanges. For application details and installation examples, please visit [www.V2Vents.com](http://www.V2Vents.com)

Proudly Manufactured By: NEW CAL METALS INC.

[www.newcalmetals.com](http://www.newcalmetals.com)

FSVER1.5 PRODUCT SPECIFICATION & DATA SHEET

Model Description	<b>Round Eave Vent</b>	Flange Type	<b>Flange Front</b>	Frame & Flange	<b>G90 Galvanized Steel - 26GA</b>
Model Number	<b>FSVER1.5</b>	NFVA	<b>1.5 sq. in.</b>	Intumescent Core	<b>5mm Hexagonal Matrix - Aluminum with intumescent coating</b>
Model Size	<b>1-1/2" x 1-1/2"</b>			Ember Mesh	<b>N/A</b>

