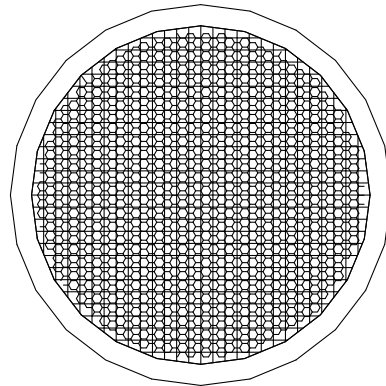


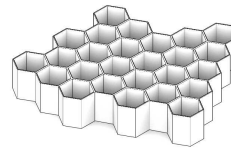


V2VENTS.COM (916) 652-7424 info@newcalmetals.com P.O. Box 1126 Loomis, CA. 95650

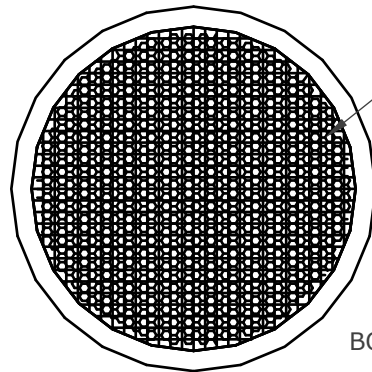
**For use to comply with IWUI, IBHS Wildfire Prepared Certification, California Chapter 7A\***



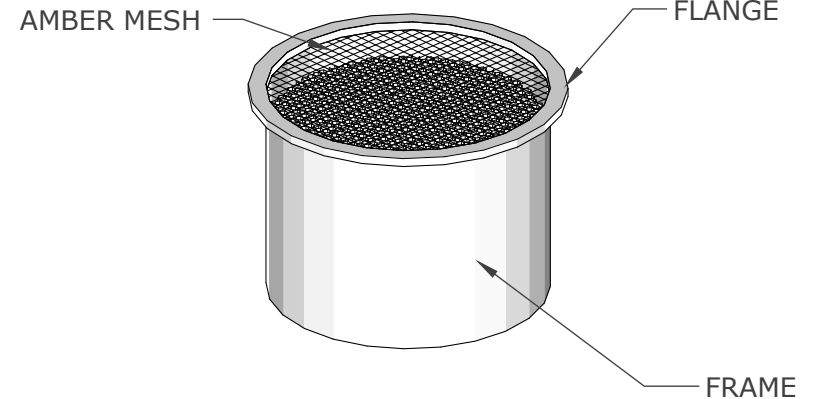
TOP VIEW



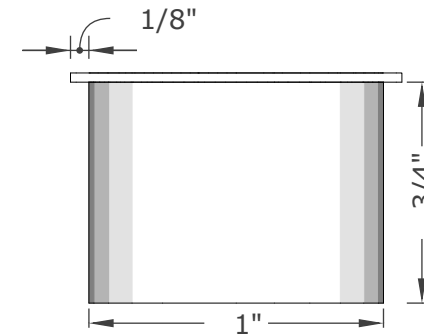
Intumescent Core



BOTTOM VIEW



ISOMETRIC VIEW



SIDE VIEW

**Required Installation:**

Use **EverKem 814+** intumescent firestop caulking or equivalent, BEHIND flanges.  
For application details and installation examples, please visit [www.V2Vents.com](http://www.V2Vents.com)

Proudly Manufactured By: **NEW CAL METALS INC.**

[www.newcalmetals.com](http://www.newcalmetals.com)

## FSVER1M PRODUCT SPECIFICATION & DATA SHEET

Model Description	<b>Round Eave Vent</b>	Flange Type	NFVA	Flange Front	<b>1 sq. in.</b>	Frame & Flange	<b>G90 Galvanized Steel - 26GA</b>
Model Number	<b>FSVER1M</b>					Intumescent Core	<b>5mm Hexagonal Matrix - Aluminum with intumescent coating</b>
Model Size	<b>1" x 1"</b>					Ember Mesh	<b>14 Mesh - 304 Stainless Steel</b>

