



Approved for use in the Wildland Urban Interface (W.U.I.)

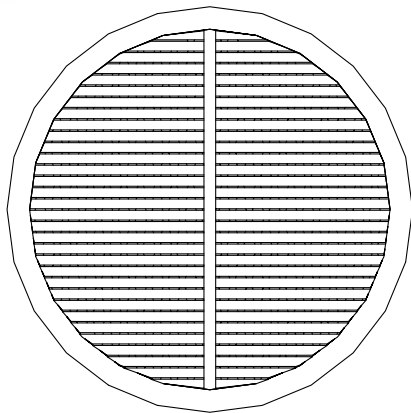
**Chapter 7A** compliant: Tested and listed to ASTM2886.  
OSFM BML listing: 8165-2426 | QAI listing: B1155

Revision Date: February 25, 2020

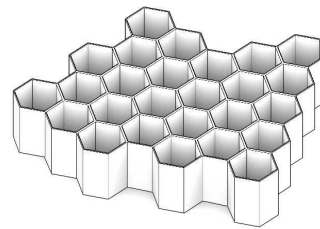


V2VENTS.COM (916) 652-7424 info@newcalmetals.com P.O. Box 1126 Loomis, CA. 95650

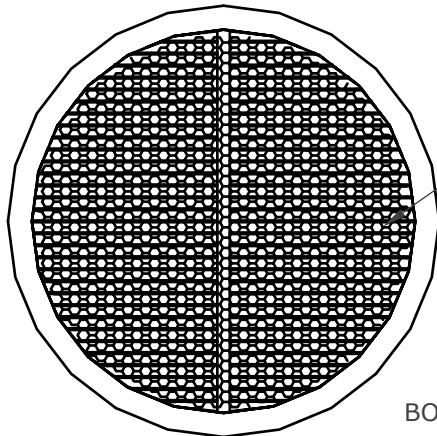
**For use to comply with IWUI, IBHS Wildfire Prepared Certification, California Chapter 7A\***



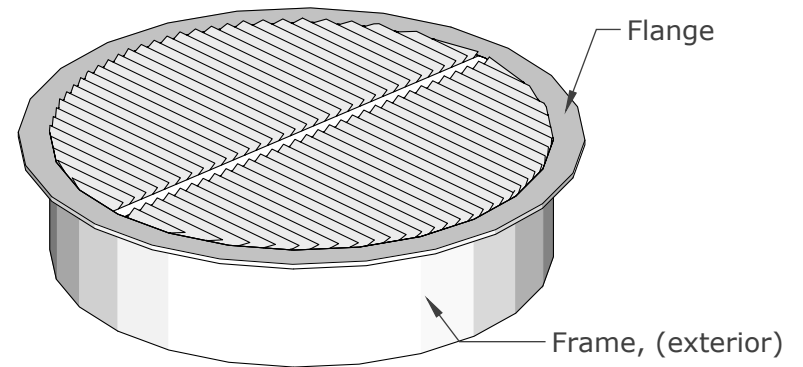
TOP VIEW



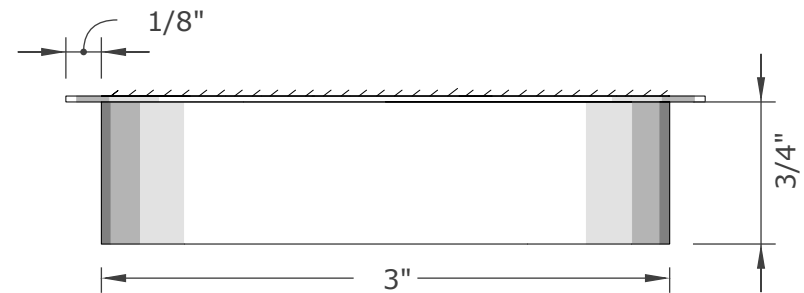
Intumescent Core



BOTTOM VIEW



ISOMETRIC VIEW



SIDE VIEW

**Required Installation:**

Use **EverKem 814+ intumescent firestop caulking** or equivalent, BEHIND flanges.  
For application details and installation examples, please visit [www.V2Vents.com](http://www.V2Vents.com)

Proudly Manufactured By: **NEW CAL METALS INC.**

[www.newcalmetals.com](http://www.newcalmetals.com)

**FSVER3 PRODUCT SPECIFICATION & DATA SHEET**

Model Description	<b>Round Eave Vent</b>	Flange Type	NFVA	Frame & Flange	<b>G90 Galvanized Steel - 26GA</b>
Model Number	<b>FSVER3</b>	Flange Front	<b>2 sq. in.</b>	Intumescent Core	<b>5mm Hexagonal Matrix - Aluminum with intumescent coating</b>
Model Size	<b>3" x 3"</b>			Ember Mesh	<b>14 Mesh - 304 Stainless Steel</b>

