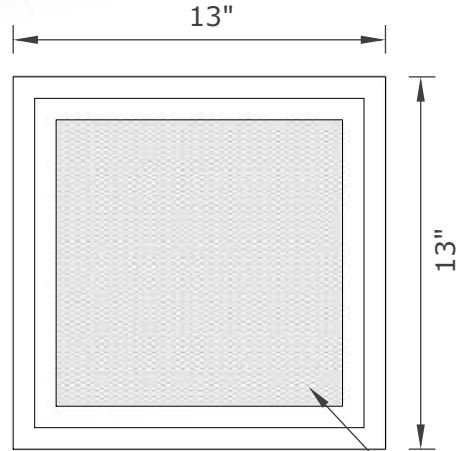


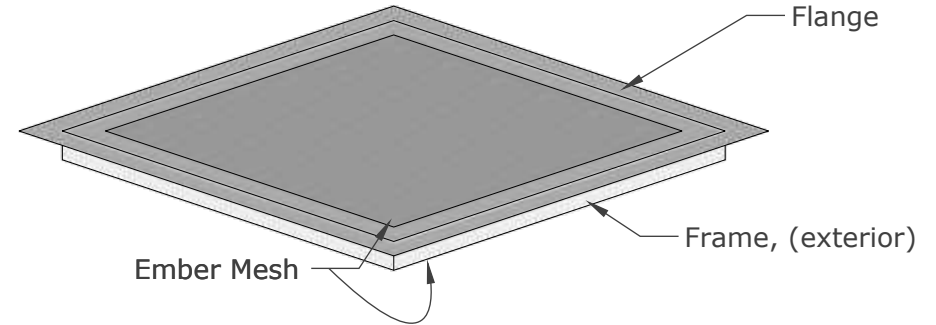


V2VENTS.COM (916) 652-7424 info@newcalmetals.com P.O. Box 1126 Loomis, CA. 95650

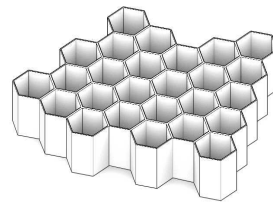
For use to comply with IWUI, IBHS Wildfire Prepared Certification, California Chapter 7A*



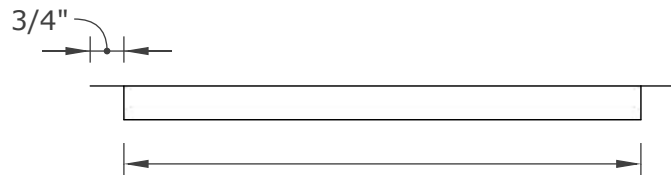
TOP VIEW



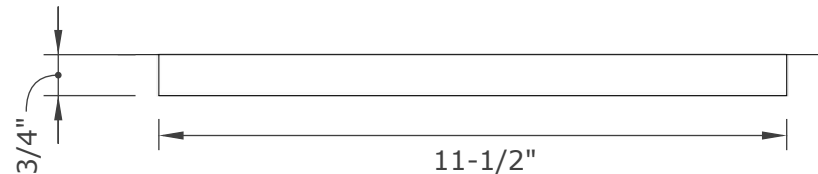
ISOMETRIC VIEW



Intumescent Core



FRONT VIEW



SIDE VIEW

Required Installation:

Use **EverKem 814+ intumescent firestop caulking** or equivalent, BEHIND flanges.
For application details and installation examples, please visit www.V2Vents.com

Proudly Manufactured By: **NEW CAL METALS INC.**

www.newcalmetals.com

FSVFS1212FF PRODUCT SPECIFICATION & DATA SHEET

Model Description	Foundation Vent	Flange Type	Flange Front	Frame & Flange	G90 Galvanized Steel - 26GA
Model Number	FSVFS1212FF			Intumescent Core	5mm Hexagonal Matrix - Aluminum with intumescent coating
Model Size	13-1/2" x 7-1/2"	NFVA	94 sq. in	Ember Mesh	14 Mesh - 304 Stainless Steel