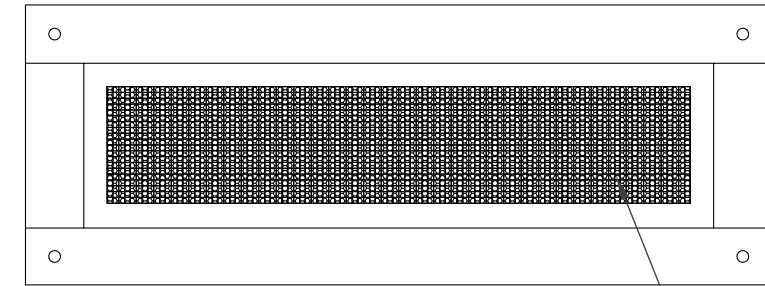


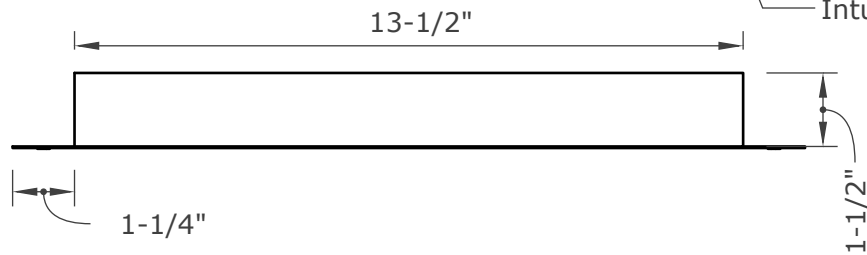


V2VENTS.COM (916) 652-7424 info@vulcanvents.com P.O. Box 1126 Loomis, CA. 95650

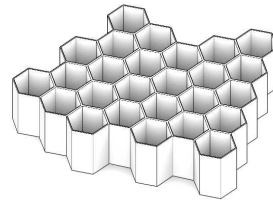
For use to comply with IWUI, IBHS Wildfire Prepared Certification, California Chapter 7A*



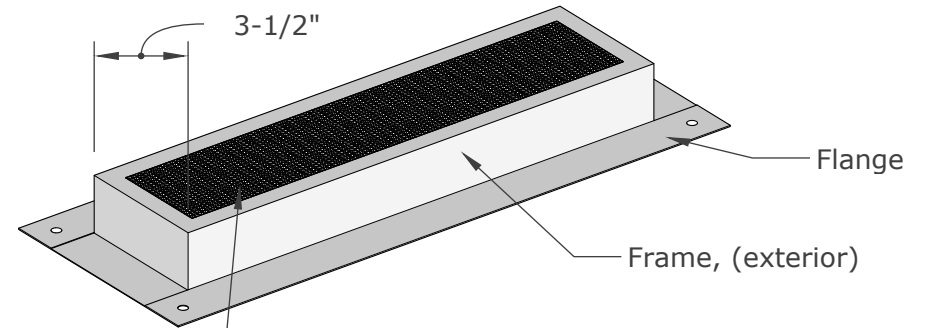
TOP VIEW



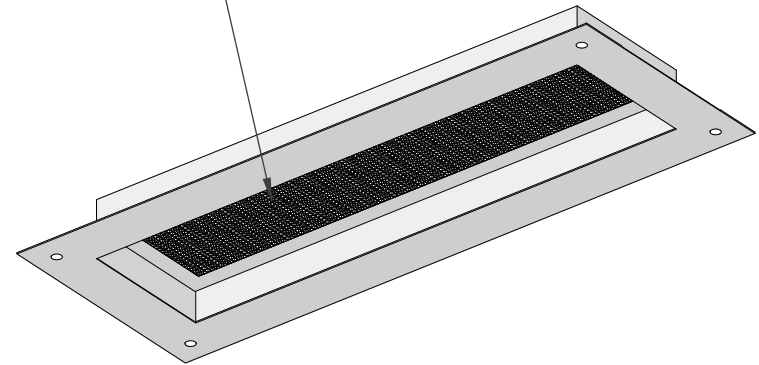
SIDE VIEW



Intumescent Core



ISOMETRIC VIEWS



Required Installation:

Use **EverKem 814+ intumescent firestop caulking** or equivalent, BEHIND flanges.
For application details and installation examples, please visit www.V2Vents.com

Proudly Manufactured By: **NEW CAL METALS INC.**

www.newcalmetals.com

FSVFS414FB PRODUCT SPECIFICATION & DATA SHEET

| | | | | | |
|-------------------|-------------------------|-------------|-------------------|------------------|---|
| Model Description | Foundation Vent | Flange Type | FoamBack | Frame & Flange | G90 Galvanized Steel - 26GA |
| Model Number | FSVFS414FB | | | Intumescent Core | 5mm Hexagonal Matrix - Aluminum with intumescent coating |
| Model Size | 13-1/2" x 3-1/2" | NFVA | 24 sq. in. | Ember Mesh | 14 Mesh - 304 Stainless Steel |

