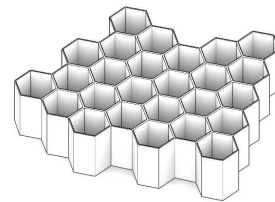
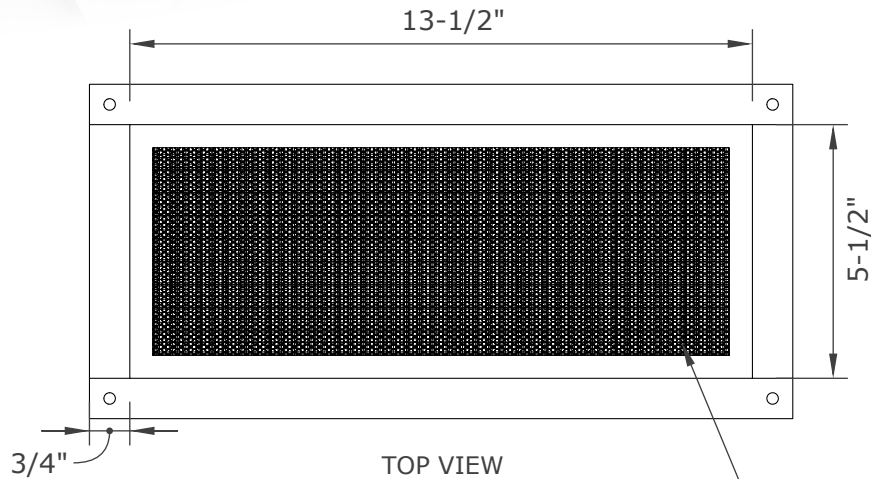


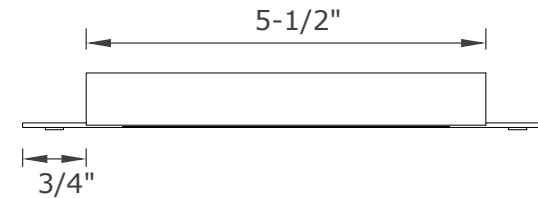
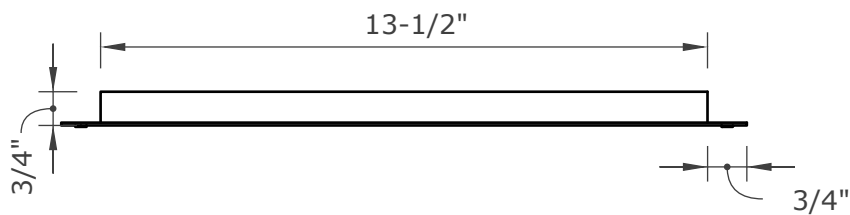
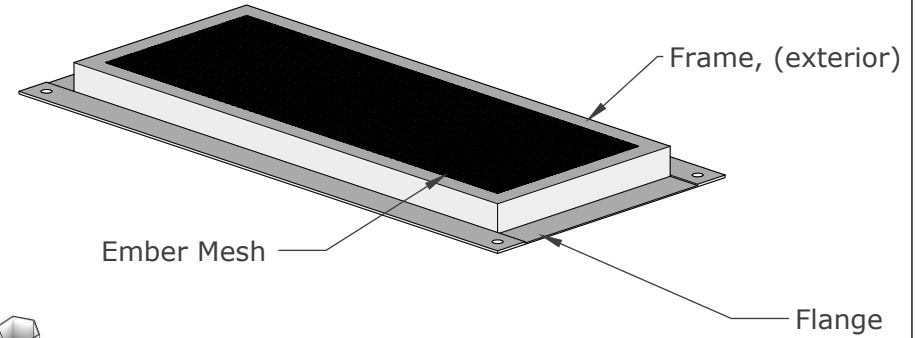


V2VENTS.COM (916) 652-7424 info@vulcanvents.com P.O. Box 1126 Loomis, CA. 95650

**For use to comply with IWUI, IBHS Wildfire Prepared Certification, California Chapter 7A\***



Intumescent Core



**Required Installation:**

Use **EverKem 814+ intumescent firestop caulking** or equivalent, BEHIND flanges.  
For application details and installation examples, please visit [www.V2Vents.com](http://www.V2Vents.com)

Proudly Manufactured By: **NEW CAL METALS INC.**

[www.newcalmetals.com](http://www.newcalmetals.com)

## FSVFS614S PRODUCT SPECIFICATION & DATA SHEET

Model Description	<b>Foundation Vent</b>	Flange Type	<b>Stucco</b>	Frame & Flange	<b>G90 Galvanized Steel - 26GA</b>
Model Number	<b>FSVFS614S</b>			Intumescent Core	<b>5mm Hexagonal Matrix - Aluminum with intumescent coating</b>
Model Size	<b>13-1/2" x 5-1/2"</b>	NFVA	<b>41 sq. in.</b>	Ember Mesh	<b>14 Mesh - 304 Stainless Steel</b>