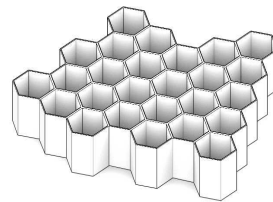
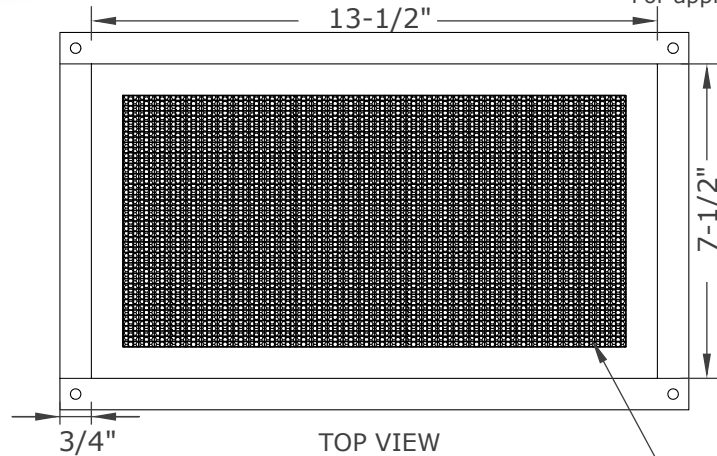




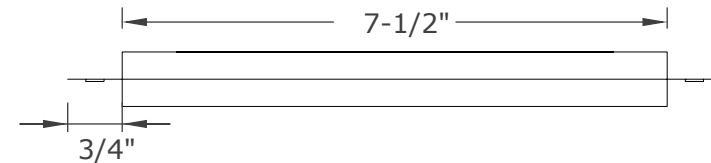
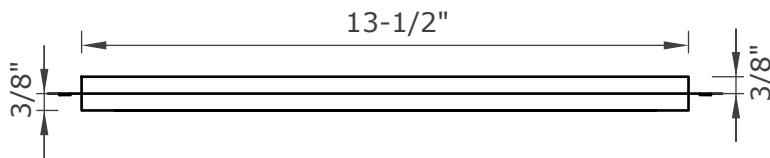
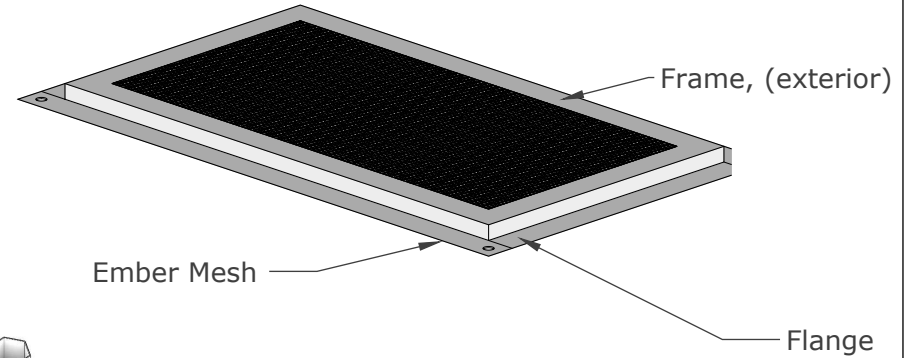
V2VENTS.COM (916) 652-7424 info@vulcanvents.com P.O. Box 1126 Loomis, CA. 95650

For use to comply with IWUI, IBHS Wildfire Prepared Certification, California Chapter 7A*

Use EverKem 814+ intumescent firestop caulking or similar, along flanges.
For application details and installation examples, please visit www.VulcanVents.com



Intumescent Core



Required Installation:

Use EverKem 814+ intumescent firestop caulking or equivalent, BEHIND flanges.
For application details and installation examples, please visit www.V2Vents.com

Proudly Manufactured By: **NEW CAL METALS INC.**

www.newcalmetals.com

FSVFS814FC PRODUCT SPECIFICATION & DATA SHEET

Model Description	Foundation Vent	Flange Type	Fiber Cement	Frame & Flange	G90 Galvanized Steel - 26GA
Model Number	FSVFS814FC			Intumescent Core	5mm Hexagonal Matrix - Aluminum with intumescent coating
Model Size	13-1/2" x 7-1/2"	NFVA	62 sq. in.	Ember Mesh	14 Mesh - 304 Stainless Steel