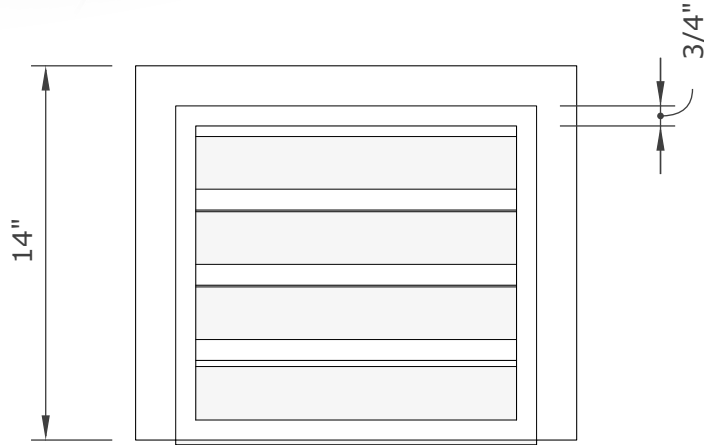


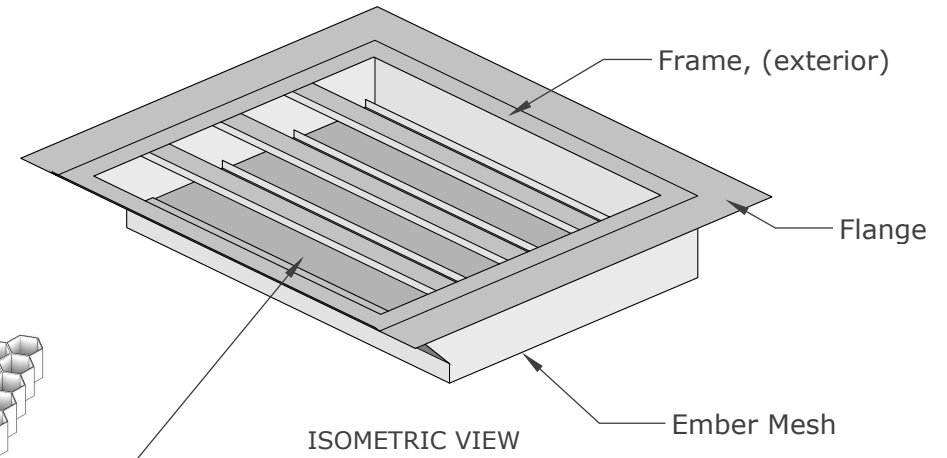


V2VENTS.COM (916) 652-7424 info@newcalmetals.com P.O. Box 1126 Loomis, CA. 95650

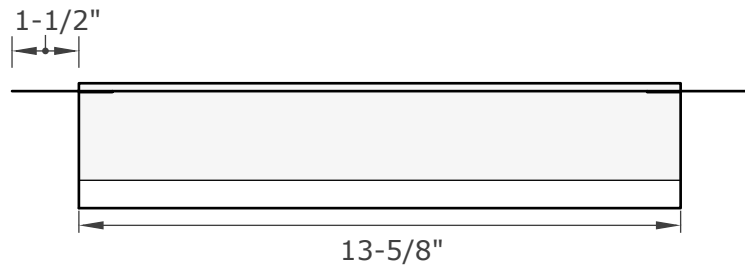
**For use to comply with IWUI, IBHS Wildfire Prepared Certification, California Chapter 7A\***



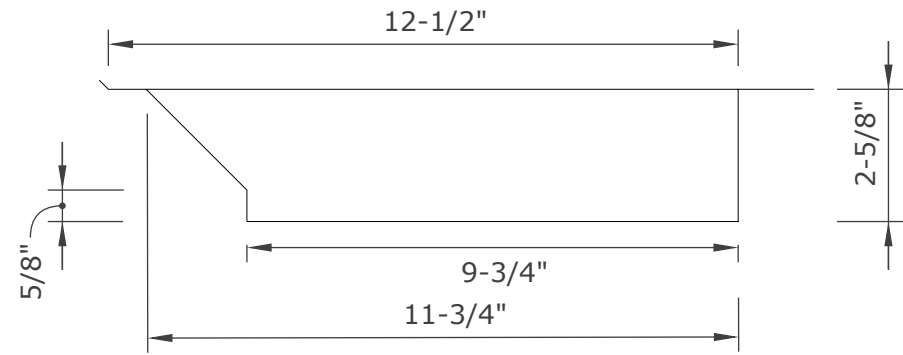
TOP VIEW



ISOMETRIC VIEW



END VIEW



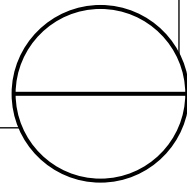
SIDE VIEW

**Required Installation:**

Use **EverKem 814+ intumescent firestop caulking** or equivalent, BEHIND flanges.  
For application details and installation examples, please visit [www.V2Vents.com](http://www.V2Vents.com)

Proudly Manufactured By: **NEW CAL METALS INC.**

[www.newcalmetals.com](http://www.newcalmetals.com)



## FSVG1412FF PRODUCT SPECIFICATION & DATA SHEET

|                   |                          |             |                   |                  |                                                                 |
|-------------------|--------------------------|-------------|-------------------|------------------|-----------------------------------------------------------------|
| Model Description | <b>Gable Vent</b>        | Flange Type | <b>Front</b>      | Frame & Flange   | <b>G90 Galvanized Steel - 26GA</b>                              |
| Model Number      | <b>FSVG1412FF</b>        | NFVA        | <b>58 sq. in.</b> | Intumescent Core | <b>5mm Hexagonal Matrix - Aluminum with intumescent coating</b> |
| Model Size        | <b>13-5/8" x 12-1/2"</b> |             |                   | Ember Mesh       | <b>14 Mesh - 304 Stainless Steel</b>                            |