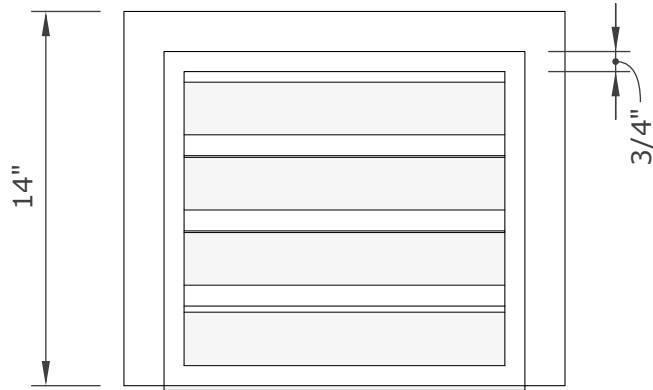
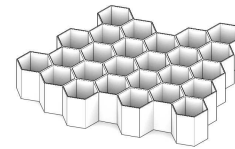




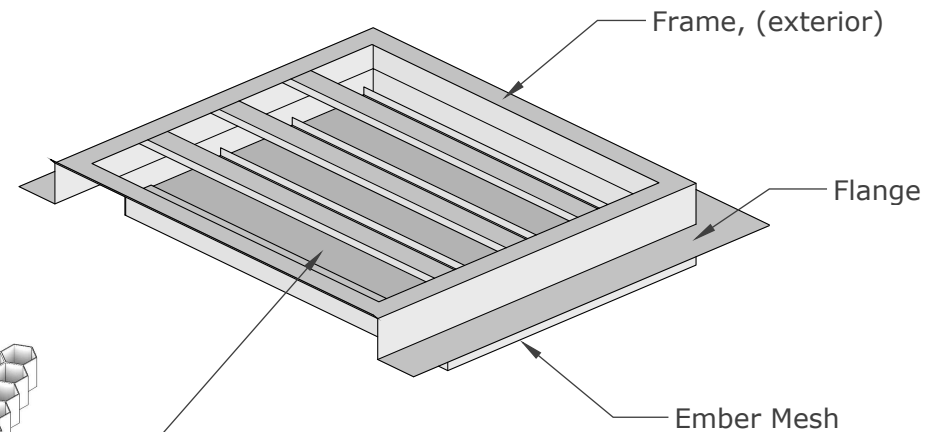
For use to comply with IWUI, IBHS Wildfire Prepared Certification, California Chapter 7A*



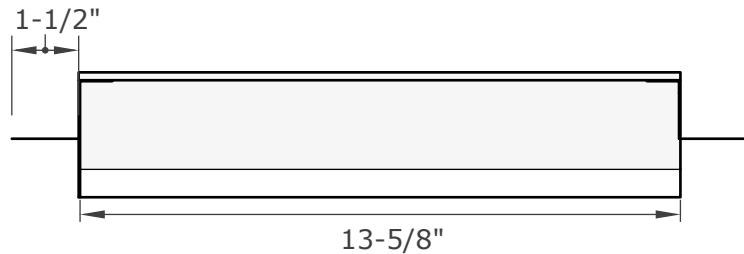
TOP VIEW



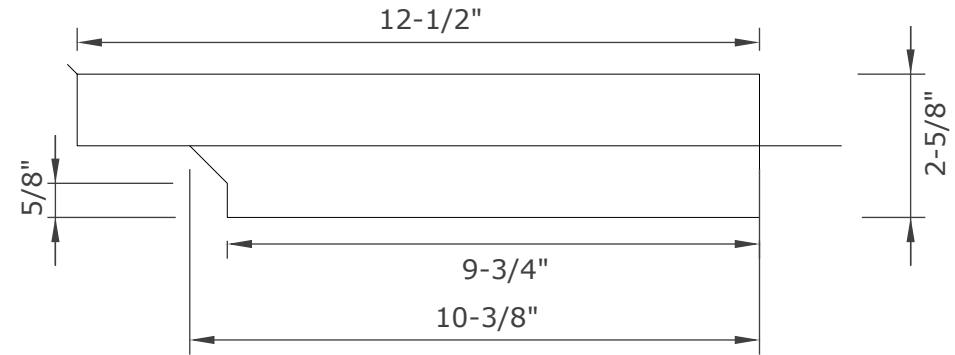
Intumescent Core



ISOMETRIC VIEW



END VIEW



SIDE VIEW

Required Installation:

Use **EverKem 814+ intumescent firestop caulking** or equivalent, BEHIND flanges.
For application details and installation examples, please visit www.V2Vents.com

Proudly Manufactured By: **NEW CAL METALS INC.**

www.newcalmetals.com

FSVG1412FM PRODUCT SPECIFICATION & DATA SHEET

Model Description	Gable Vent	Flange Type	Middle	Frame & Flange	G90 Galvanized Steel - 26GA
Model Number	FSVG1412FM	NFVA	58 sq. in.	Intumescent Core	5mm Hexagonal Matrix - Aluminum with intumescent coating
Model Size	13-5/8" x 12-1/2"			Ember Mesh	14 Mesh - 304 Stainless Steel