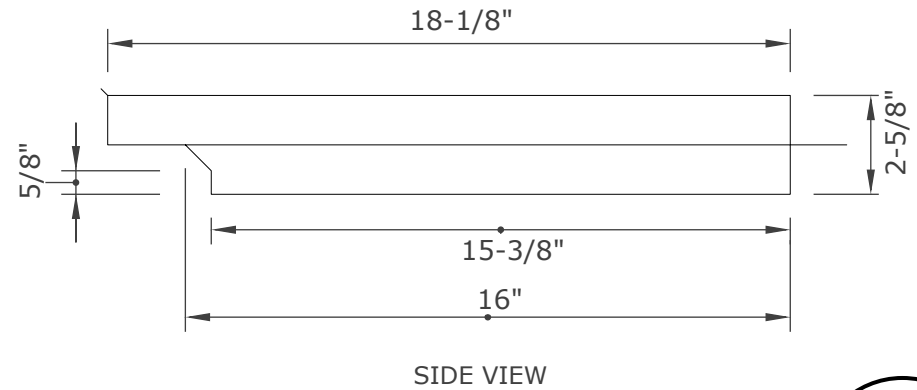
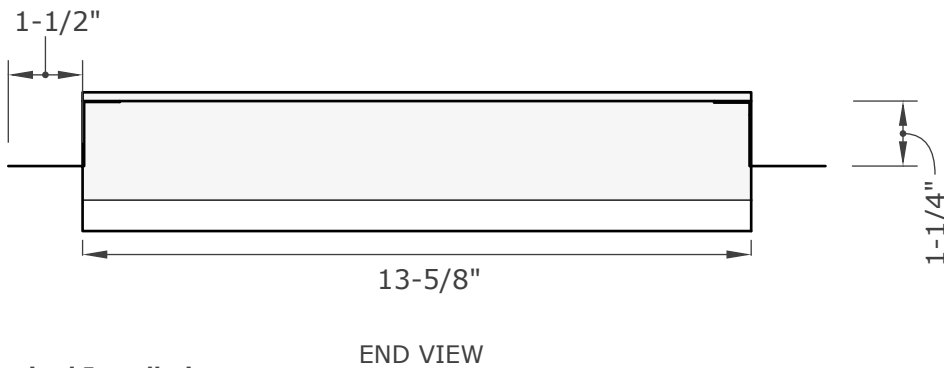
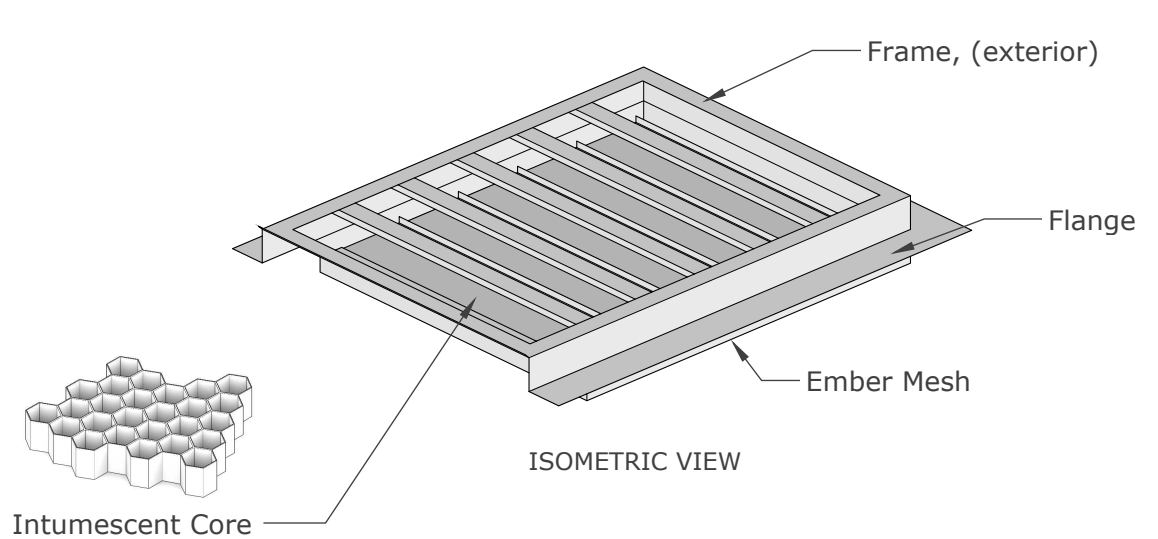
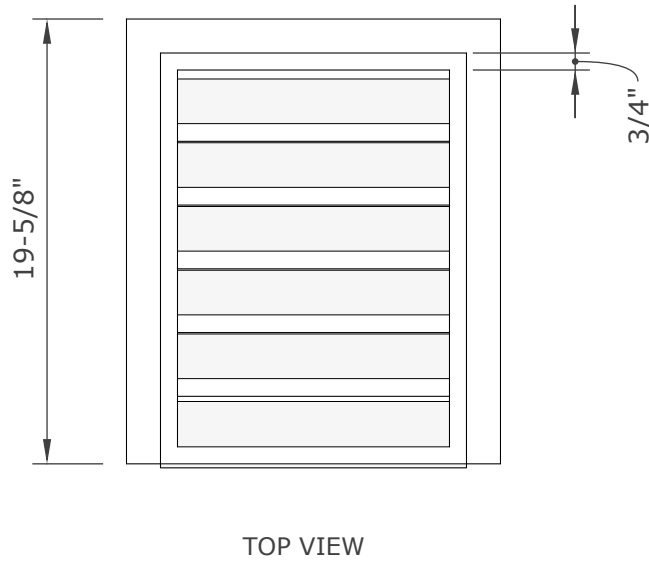




V2VENTS.COM (916) 652-7424 info@newcalmetals.com P.O. Box 1126 Loomis, CA. 95650

**For use to comply with IWUI, IBHS Wildfire Prepared Certification, California Chapter 7A\***



**Reiured Installation:**

**Use EverKem 814+ intumescent firestop caulking** or equivalent, BEHIND flanges.  
For application details and installation examples, please visit [www.V2Vents.com](http://www.V2Vents.com)

**FSVG1418FM PRODUCT SPECIFICATION & DATA SHEET**

Proudly Manufactured By: **NEW CAL METALS INC.**

[www.newcalmetals.com](http://www.newcalmetals.com)

Model Description | **Gable Vent**  
Model Number | **FSVG1418FM**  
Model Size | **13-5/8" x 18-1/2"**

Flange Type | **Middle**  
NFVA | **86 sq. in.**

Frame & Flange | **G90 Galvanized Steel - 26GA**  
Intumescent Core | **5mm Hexagonal Matrix - Aluminum with intumescent coating**  
Ember Mesh | **14 Mesh - 304 Stainless Steel**

