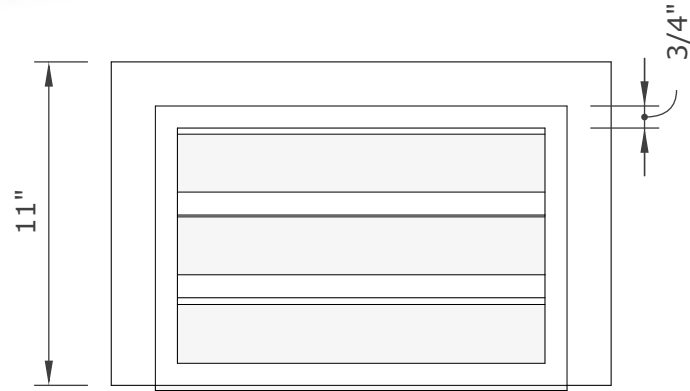
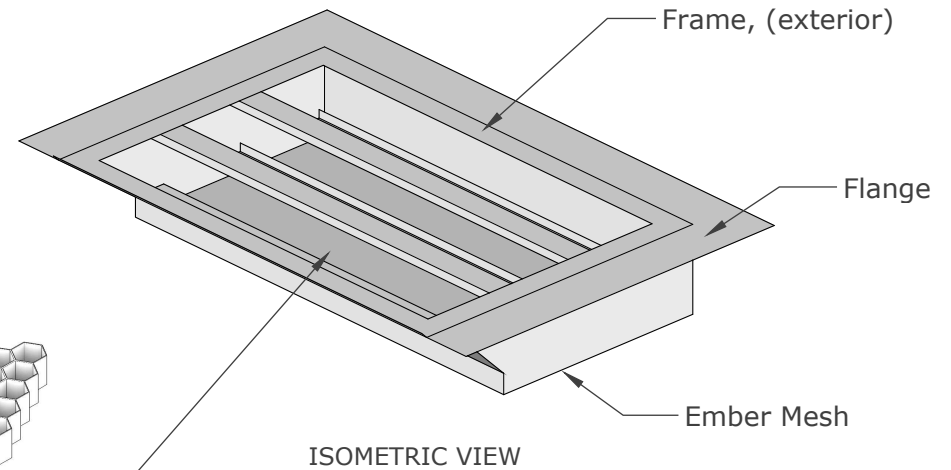




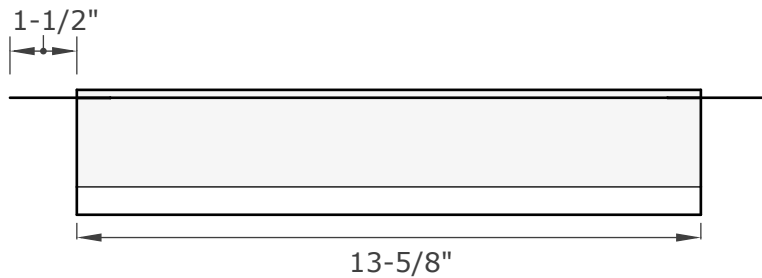
For use to comply with IWUI, IBHS Wildfire Prepared Certification, California Chapter 7A*



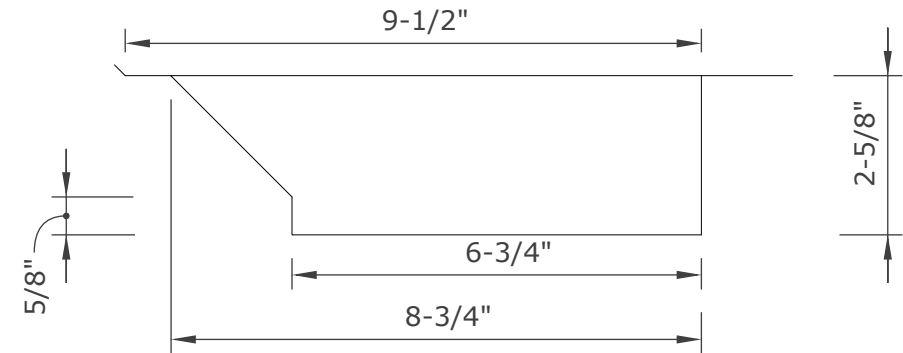
TOP VIEW



ISOMETRIC VIEW



END VIEW



END VIEW

Required Installation:

Use **EverKem 814+ intumescent firestop caulking** or equivalent, BEHIND flanges.
For application details and installation examples, please visit www.V2Vents.com

FSVG148FF PRODUCT SPECIFICATION & DATA SHEET

Proudly Manufactured By: **NEW CAL METALS INC.**

www.newcalmetals.com

Model Description	Gable Vent	Flange Type	Front	Frame & Flange	G90 Galvanized Steel - 26GA
Model Number	FSVG148FF	NFVA	29 sq. in.	Intumescent Core	5mm Hexagonal Matrix - Aluminum with intumescent coating
Model Size	13-5/8" x 9-1/2"			Ember Mesh	14 Mesh - 304 Stainless Steel

