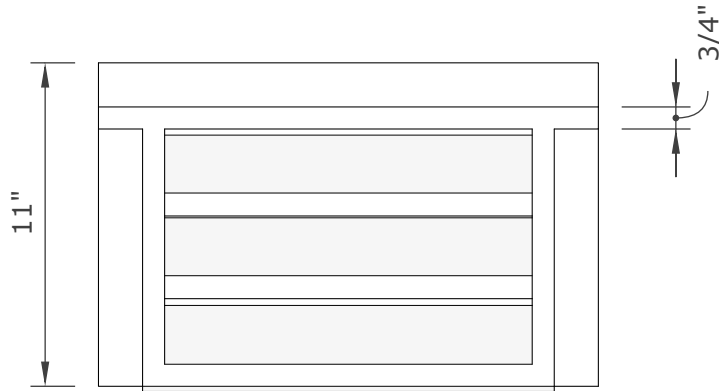


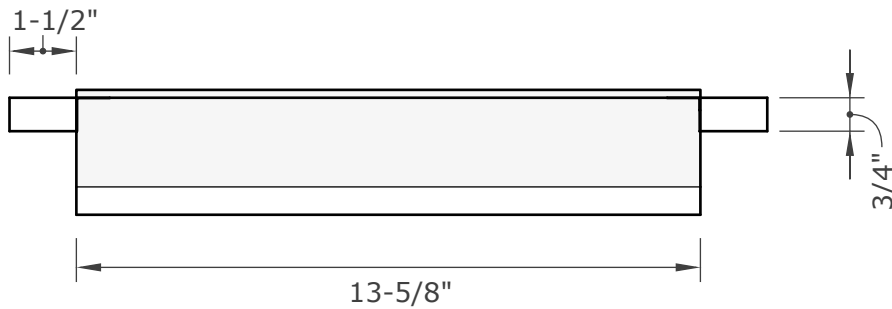


V2VENTS.COM (916) 652-7424 info@newcalmetals.com P.O. Box 1126 Loomis, CA. 95650

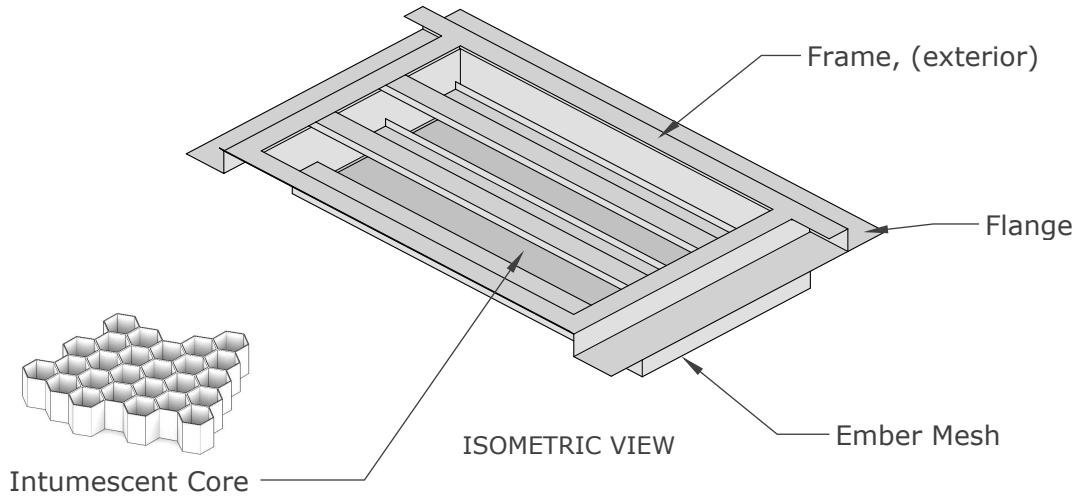
For use to comply with IWUI, IBHS Wildfire Prepared Certification, California Chapter 7A*



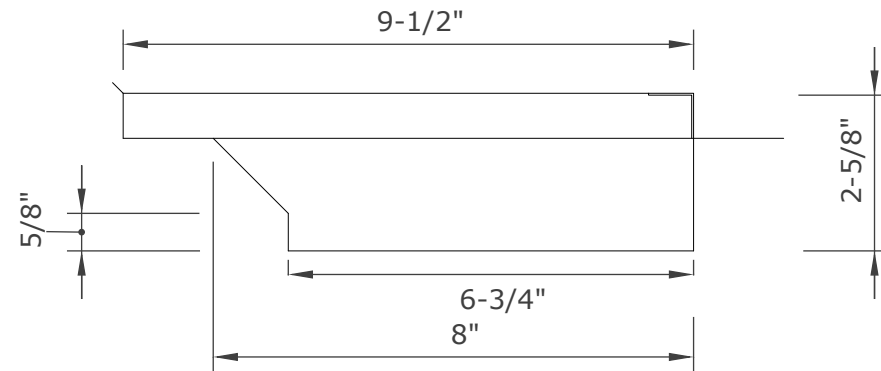
TOP VIEW



END VIEW



ISOMETRIC VIEW



SIDE VIEW

Required Installation: Use **EverKem 814+ intumescent firestop caulking** or equivalent, BEHIND flanges. For application details and installation examples, please visit www.V2Vents.com

Proudly Manufactured By: **NEW CAL METALS INC.**

www.newcalmetals.com

FSVG148S PRODUCT SPECIFICATION & DATA SHEET

Model Description	Gable Vent	Flange Type	Stucco	Frame & Flange	G90 Galvanized Steel - 26GA
Model Number	FSVG148S	NFVA	29 sq. in.	Intumescent Core	5mm Hexagonal Matrix - Aluminum with intumescent coating
Model Size	13-5/8" x 9-1/2"			Ember Mesh	14 Mesh - 304 Stainless Steel

