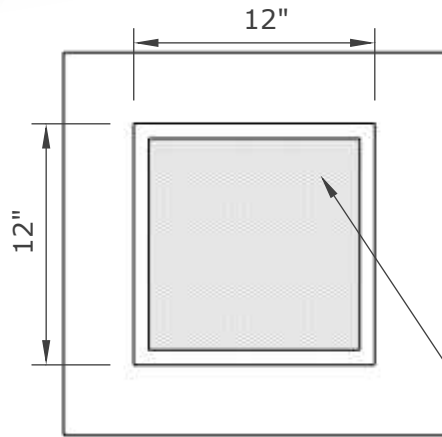


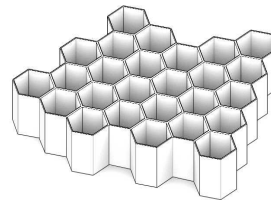


V2VENTS.COM (916) 652-7424 info@newcalmetals.com P.O. Box 1126 Loomis, CA. 95650

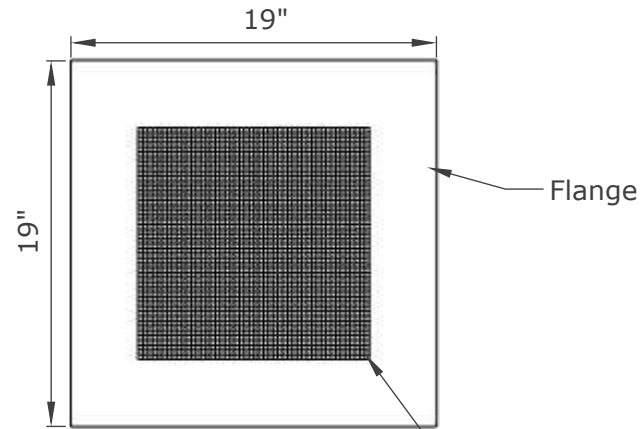
For use to comply with IWUI, IBHS Wildfire Prepared Certification, California Chapter 7A*



TOP VIEW

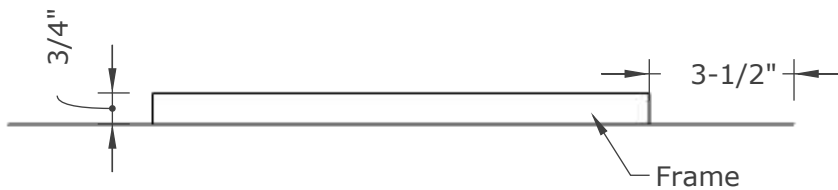


Intumescent Core



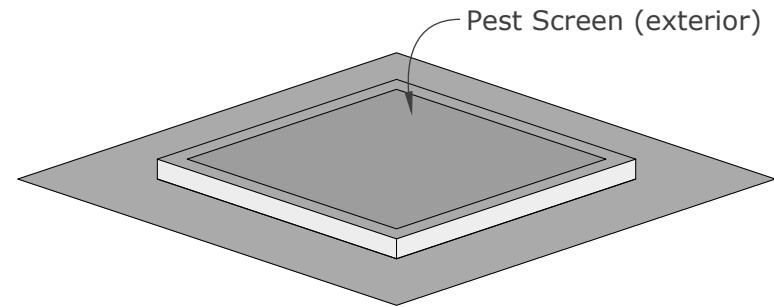
BOTTOM VIEW

Ember Mesh (interior)



SIDE VIEW

Frame



ISOMETRIC VIEW

Pest Screen (exterior)

Required Installation:

Use **EverKem 814+ intumescent firestop caulking** or equivalent, BEHIND flanges.
For application details and installation examples, please visit www.V2Vents.com

FSVSB1212 PRODUCT SPECIFICATION & DATA SHEET

Proudly Manufactured By: **NEW CAL METALS INC.**

www.newcalmetals.com

Model Description	Sub Base Vent	Flange Type	Standard	Frame & Flange	G90 Galvanized Steel - 26GA
Model Number	FSVSB1212	NFVA	105 sq. in.	Intumescent Core	5mm Hexagonal Matrix - Aluminum with intumescent coating
Model Size	12" x 12"			Ember Mesh	14 Mesh - 304 Stainless Steel (Faces interior)
				Pest Screen	Galvanized Steel Screen - 1/8" (Faces exterior)