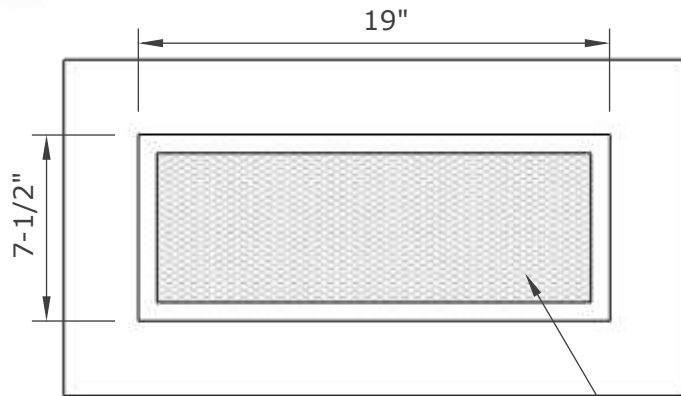


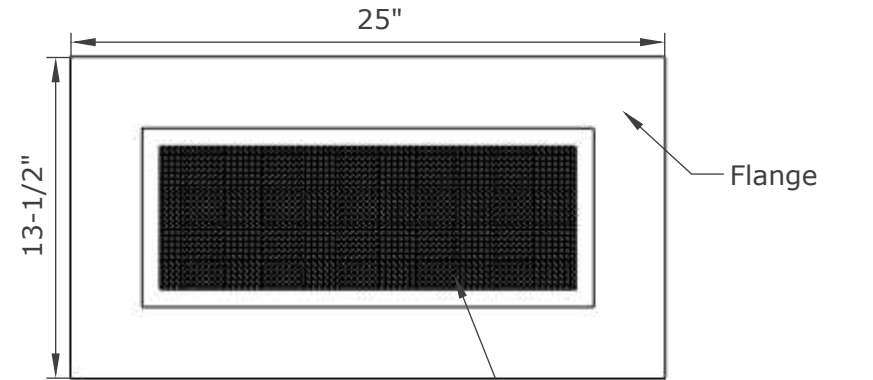


V2VENTS.COM (916) 652-7424 info@newcalmetals.com P.O. Box 1126 Loomis, CA. 95650

For use to comply with IWUI, IBHS Wildfire Prepared Certification, California Chapter 7A*



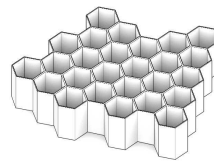
TOP VIEW



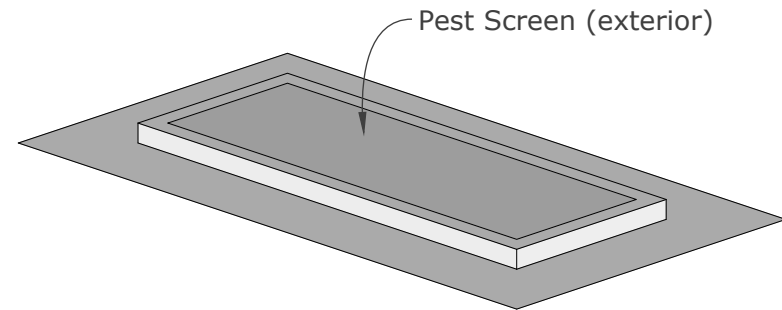
BOTTOM VIEW



SIDE VIEW



Intumescent Core



ISOMETRIC VIEW

Required Installation:

Use **EverKem 814+ intumescent firestop caulking** or equivalent, BEHIND flanges.
For application details and installation examples, please visit www.V2Vents.com

FSVSB7519 PRODUCT SPECIFICATION & DATA SHEET

Proudly Manufactured By: **NEW CAL METALS INC.**

www.newcalmetals.com

Model Description	Sub Base Vent
Model Number	FSVSB7519
Model Size	7-1/2" x 19"

Flange Type	3" Flange
NFVA	108 sq. in.

Frame & Flange	G90 Galvanized Steel - 26GA
Intumescent Core	5mm Hexagonal Matrix - Aluminum with intumescent coating
Ember Mesh	14 Mesh - 304 Stainless Steel (Faces interior)
Pest Screen	Galvanized Steel Screen - 1/8" (Faces exterior)

Frame & Flange	G90 Galvanized Steel - 26GA
Intumescent Core	5mm Hexagonal Matrix - Aluminum with intumescent coating
Ember Mesh	14 Mesh - 304 Stainless Steel (Faces interior)
Pest Screen	Galvanized Steel Screen - 1/8" (Faces exterior)