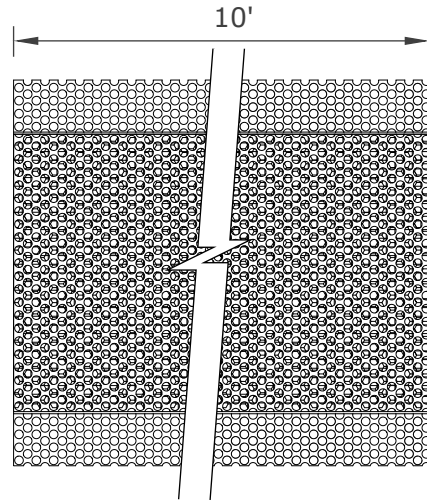


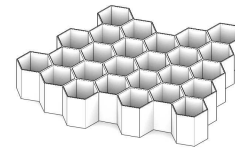


V2VENTS.COM (916) 652-7424 info@vulcanvents.com P.O. Box 1126 Loomis, CA. 95650

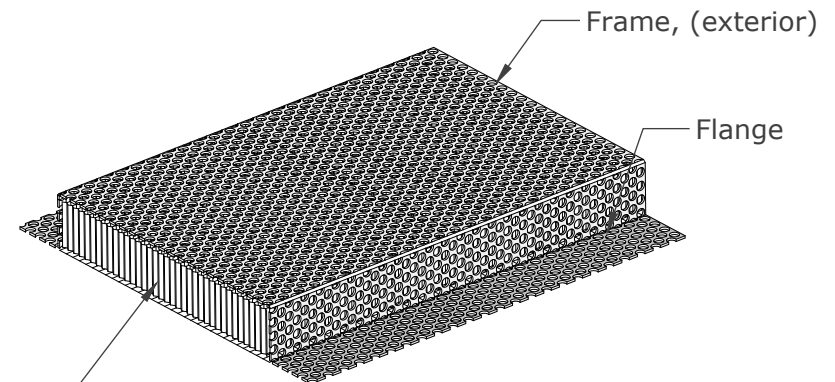
For use to comply with IWUI, IBHS Wildfire Prepared Certification, California Chapter 7A*



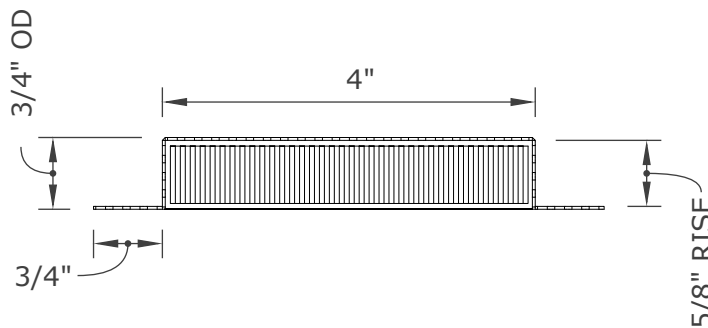
TOP VIEW



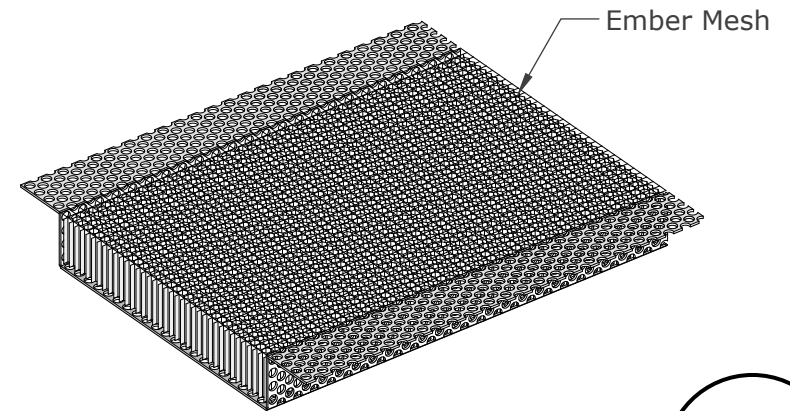
Intumescent Core



ISOMETRIC VIEWS



END VIEW

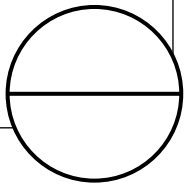


Required Installation:

Use **EverKem 814+ intumescent firestop caulking** or equivalent, BEHIND flanges.
For application details and installation examples, please visit www.V2Vents.com

Proudly Manufactured By: **NEW CAL METALS INC.**

www.newcalmetals.com



FSVSC4120 SS PRODUCT SPECIFICATION & DATA SHEET

Model Description	Continuous Vent	Flange Type	Standard	Frame & Flange	G90 Stainless Steel (1/8" holes) - 24GA
Model Number	FSVSC4120 SS	NFVA	192 sq. in.	Intumescent Core	5mm Hexagonal Matrix - Aluminum with intumescent coating
Model Size	4" x 120"			Ember Mesh	14 Mesh - 304 Stainless Steel