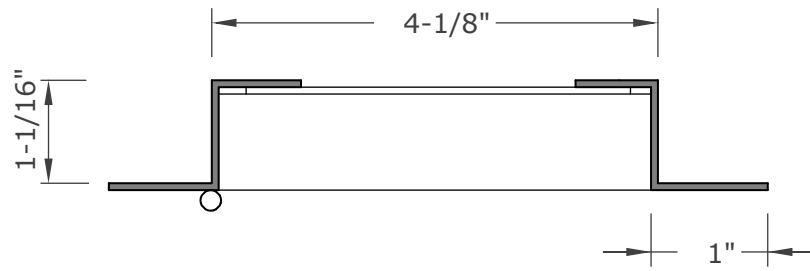


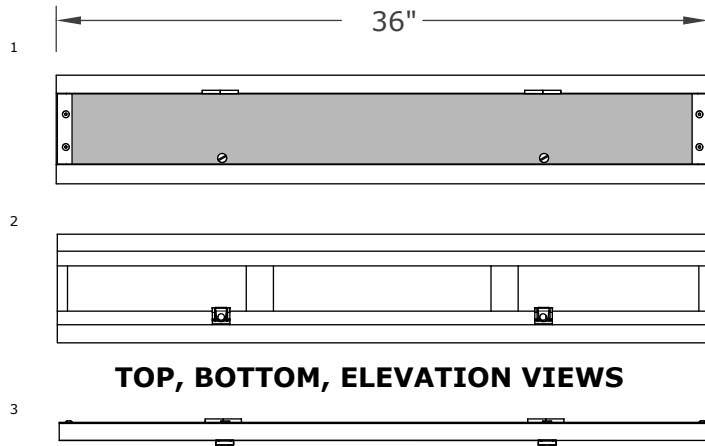


For use to comply with IWUI, IBHS Wildfire Prepared Certification, California Chapter 7A*

For use to comply with SB 721, SB 326 where decks and balconies (EEE) require

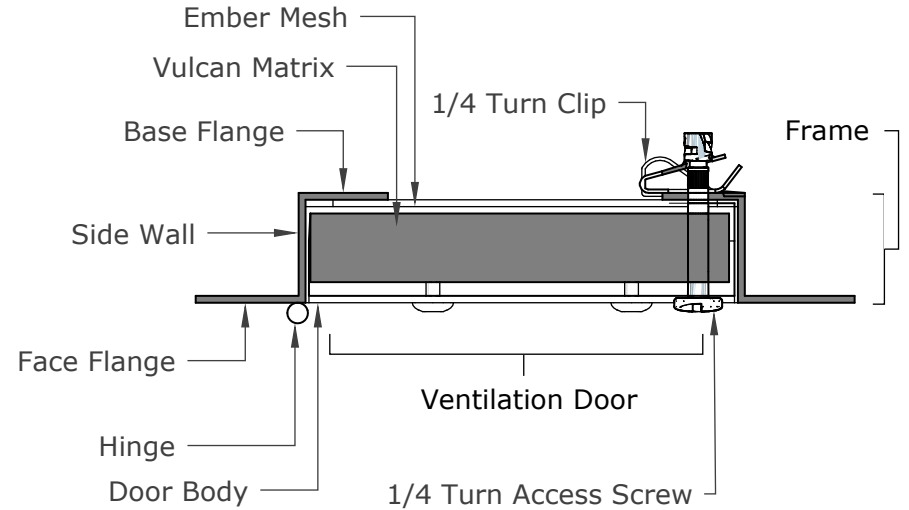


FRAME ONLY (END VIEW)



TOP, BOTTOM, ELEVATION VIEWS

Required Installation:
1 Use **EverKem 814+ intumescent firestop caulking** or equivalent, BEHIND flanges.
2 For application details and installation examples, please visit www.V2Vents.com



DETAILED VIEW

Installation Notes:

Remove door before installation. Base flange is recommended for mounting.

Apply **EverKem 814+ intumescent fire caulking** or similar on back side of face flange and side wall prior to installation.

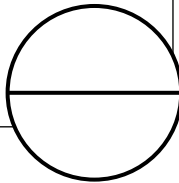
Use min #12 x 1-1/2", pancake head fasteners, 2 per joist w/ max span of 24".
Min fastener shank penetration into joist: 1-1/2".
When mounting depth is greater than 1", consider furring strips.

For detailed installation examples, please visit: www.vulcanvents.com

Non-fire rated and ember only options are available from New Cal Metals.

Proudly Manufactured By: **NEW CAL METALS INC.**

www.newcalmetals.com



VSC436IF PRODUCT SPECIFICATION & DATA SHEET

Model Description	Continuous	Flange Type	Inspection	Frame & Flange	G90 Galvanized Steel - 20GA
Model Number	VSC436IF	NFVA	58 sq. in.	Ventilation Door	G90 Galvanized Steel - 24GA
Model Size	36" x 4"			Intumescent Core	5mm Hexagonal Matrix - Aluminum with intumescent coating
				Ember Mesh	14 Mesh - 304 Stainless Steel