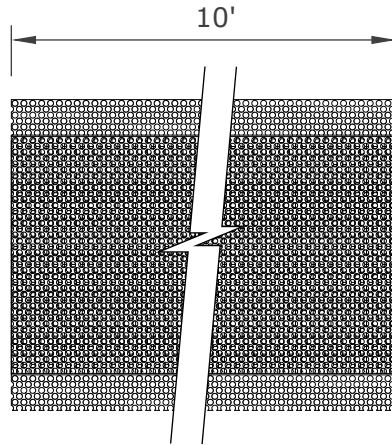
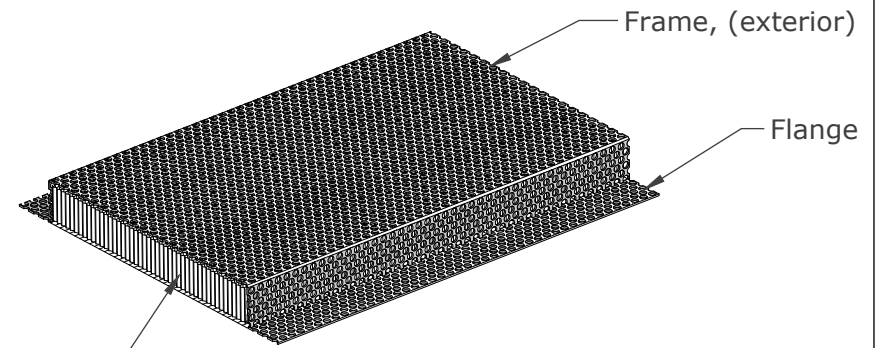




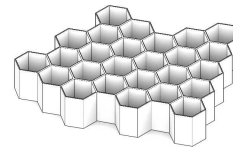
For use to comply with IWUI, IBHS Wildfire Prepared Certification, California Chapter 7A*



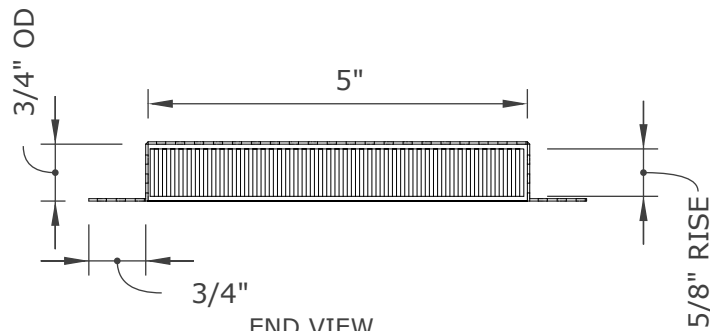
TOP VIEW



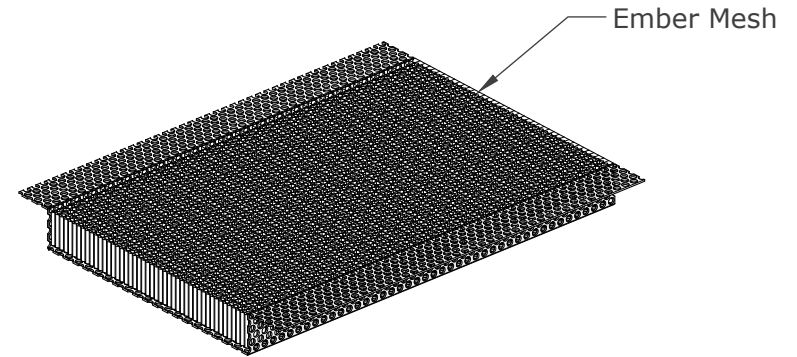
ISOMETRIC VIEWS



Intumescent Core



END VIEW



Ember Mesh

Required Installation:

Use **EverKem 814+ intumescent firestop caulking** or equivalent, BEHIND flanges.
For application details and installation examples, please visit www.V2Vents.com

FSVSC5120 PRODUCT SPECIFICATION & DATA SHEET

Proudly Manufactured By: **NEW CAL METALS INC.**

www.newcalmetals.com

Model Description	Continuous Vent	Flange Type	Standard	Frame & Flange	G90 Galvanized Perforated Steel (1/8" holes) - 24GA 5mm Hexagonal Matrix - Aluminum with intumescent coating 14 Mesh - 304 Stainless Steel
Model Number	FSVSC5120	NFVA	240 sq. in.	Intumescent Core	
Model Size	5" x 120"			Ember Mesh	

