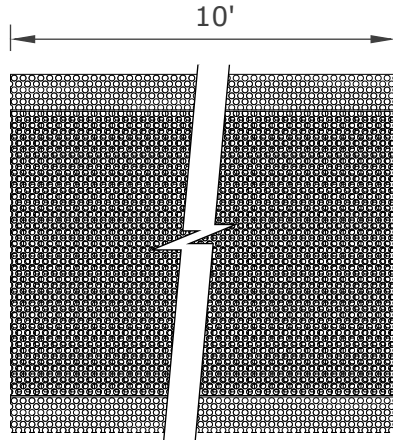


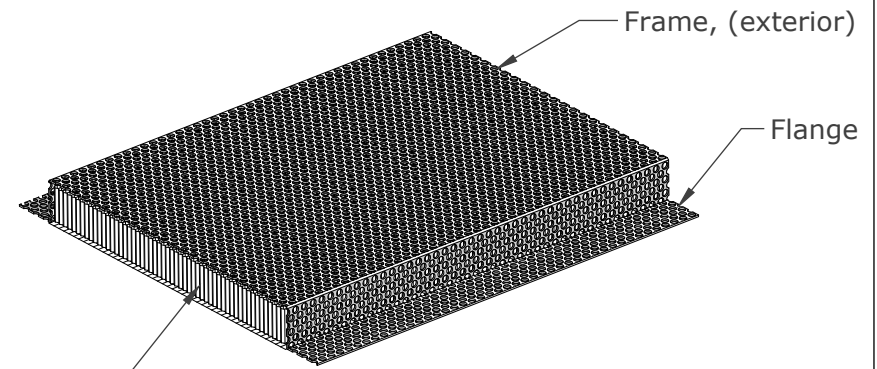


V2VENTS.COM (916) 652-7424 info@vulcanvents.com P.O. Box 1126 Loomis, CA. 95650

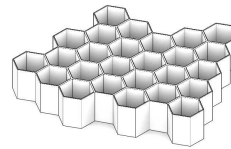
**For use to comply with IWUI, IBHS Wildfire Prepared Certification, California Chapter 7A\***



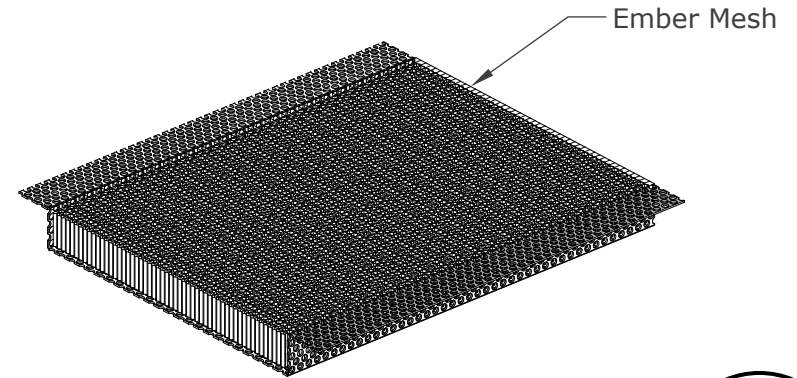
TOP VIEW



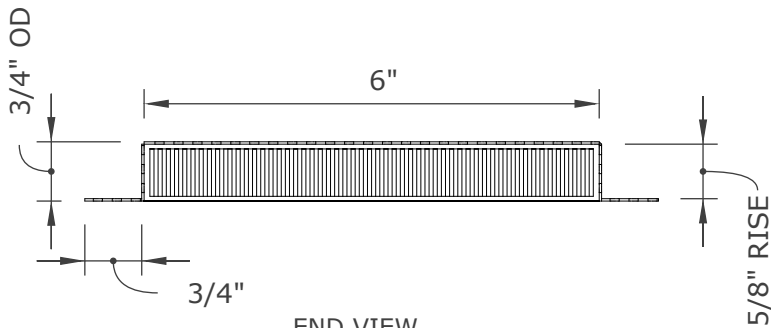
ISOMETRIC VIEWS



Intumescent Core



Ember Mesh



END VIEW

**Required Installation:**

Use **EverKem 814+ intumescent firestop caulking** or equivalent, BEHIND flanges.  
For application details and installation examples, please visit [www.V2Vents.com](http://www.V2Vents.com)

Proudly Manufactured By: **NEW CAL METALS INC.**

[www.newcalmetals.com](http://www.newcalmetals.com)

## FSVSC6120 PRODUCT SPECIFICATION & DATA SHEET

|                   |                        |             |                    |                  |   |
|-------------------|------------------------|-------------|--------------------|------------------|---|
| Model Description | <b>Continuous Vent</b> | Flange Type | <b>Standard</b>    | Frame & Flange   | <b>G90 Galvanized Perforated Steel (1/8" holes) - 24GA</b>      |
| Model Number      | <b>FSVSC6120</b>       | NFVA        | <b>288 sq. in.</b> | Intumescent Core | <b>5mm Hexagonal Matrix - Aluminum with intumescent coating</b> |
| Model Size        | <b>6" x 120"</b>       |             |                    | Ember Mesh       | <b>14 Mesh - 304 Stainless Steel</b>                            |